

Approval body for construction products
and types of construction

Bautechnisches Prüfamt

An institution established by the Federal and
Laender Governments



European Technical Assessment

ETA-02/0031
of 7 September 2017

English translation prepared by DIBt - Original version in German language

General Part

Technical Assessment Body issuing the
European Technical Assessment:

Deutsches Institut für Bautechnik

Trade name of the construction product

Würth High-Performance Anchor W-HAZ/S, W-HAZ/A4

Product family
to which the construction product belongs

Mechanical anchor
for use in concrete

Manufacturer

Adolf Würth GmbH & Co. KG
Reinhold-Würth-Straße 12-17
74653 Künzelsau
DEUTSCHLAND

Manufacturing plant

Herstellwerk W1,
Deutschland

This European Technical Assessment
contains

20 pages including 3 annexes which form an integral part
of this assessment

This European Technical Assessment is
issued in accordance with Regulation (EU)
No 305/2011, on the basis of

EAD 330232-00-0601

This version replaces

ETA-02/0031 issued on 30 October 2015

The European Technical Assessment is issued by the Technical Assessment Body in its official language. Translations of this European Technical Assessment in other languages shall fully correspond to the original issued document and shall be identified as such.

Communication of this European Technical Assessment, including transmission by electronic means, shall be in full. However, partial reproduction may only be made with the written consent of the issuing Technical Assessment Body. Any partial reproduction shall be identified as such.

This European Technical Assessment may be withdrawn by the issuing Technical Assessment Body, in particular pursuant to information by the Commission in accordance with Article 25(3) of Regulation (EU) No 305/2011.

Specific Part

1 Technical description of the product

The Würth High-Performance Anchor W-HAZ/S, W-HAZ/A4 is an anchor made of galvanised steel or made of stainless steel which is placed into a drilled hole and anchored by torque-controlled expansion. The following anchor types are covered:

- Anchor type W-HAZ-B with threaded bolt,
- Anchor type W-HAZ-S with hexagon head screw,
- Anchor type W-HAZ-SK with countersunk washer and countersunk screw.

The product description is given in Annex A.

2 Specification of the intended use in accordance with the applicable European Assessment Document

The performances given in Section 3 are only valid if the anchor is used in compliance with the specifications and conditions given in Annex B.

The verifications and assessment methods on which this European Technical Assessment is based lead to the assumption of a working life of the anchor of at least 50 years. The indications given on the working life cannot be interpreted as a guarantee given by the producer, but are to be regarded only as a means for choosing the right products in relation to the expected economically reasonable working life of the works.

3 Performance of the product and references to the methods used for its assessment

3.1 Mechanical resistance and stability (BWR 1)

Essential characteristic	Performance
Characteristic resistance for static and quasi-static loading	See Annex C1 to C5
Characteristic resistance for seismic performance category C1 and C2	See Annex C6 to C7
Displacements under tension and shear loads	See Annex C9 and C10

3.2 Safety in case of fire (BWR 2)

Essential characteristic	Performance
Reaction to fire	Anchorage satisfy requirements for Class A1
Resistance to fire	See Annex C8

English translation prepared by DIBt

4 Assessment and verification of constancy of performance (AVCP) system applied, with reference to its legal base

In accordance with the European Assessment Document EAD Nr. 330232-00-0601 the applicable European legal act is: [96/582/EC].

The system to be applied is: 1

5 Technical details necessary for the implementation of the AVCP system, as provided for in the applicable EAD

Technical details necessary for the implementation of the AVCP system are laid down in the control plan deposited with Deutsches Institut für Bautechnik.

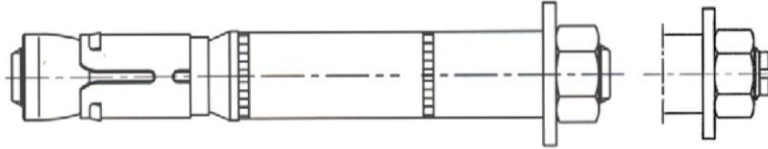
Issued in Berlin on 7 September 2017 by Deutsches Institut für Bautechnik

Andreas Kummerow
Head of Department

beglaubigt:
Baderschneider

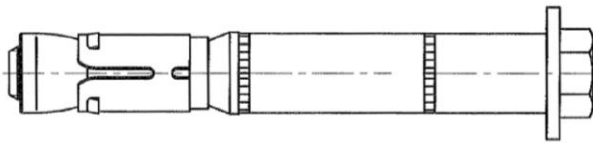
High-Performance Anchor W-HAZ

Anchor type W-HAZ-B with threaded bolt



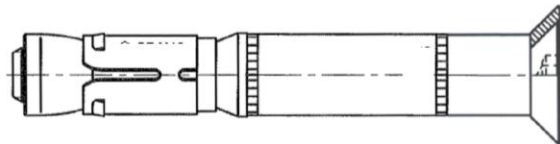
W-HAZ-B (M6-M20)
W-HAZ-B (M8-M16) A4

Anchor type W-HAZ-S with hexagon head screw



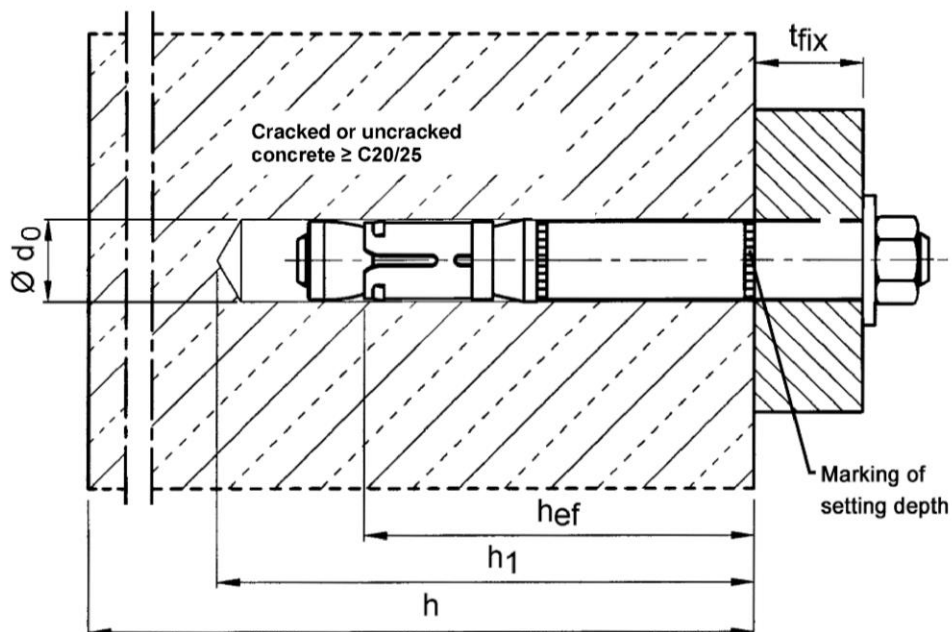
W-HAZ-S (M6-M20)
W-HAZ-S (M8-M16) A4

Anchor type W-HAZ-SK with countersunk washer and countersunk screw



W-HAZ-SK (M6-M12)
W-HAZ-SK (M8-M12) A4

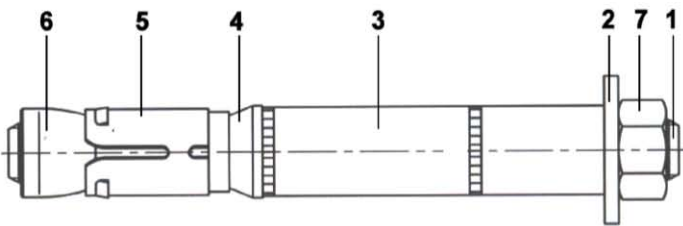
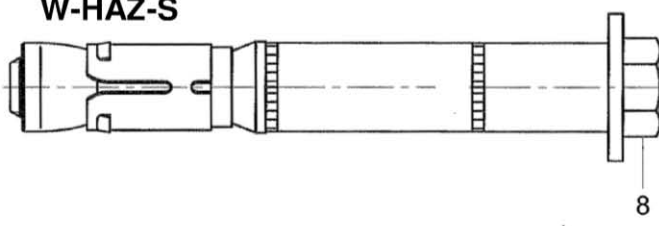
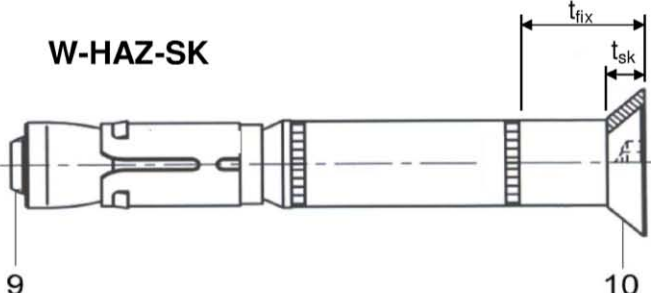
Installation condition



Würth High-Performance Anchor W-HAZ/S, W-HAZ/A4

Product description
Product and installation situation

Annex A1

<p>W-HAZ-B</p>  <p>W-HAZ-S</p>  <p>W-HAZ-SK</p> 	<p>Marking:</p> <p>expansion sleeve:</p> <ul style="list-style-type: none"> - Identifying mark of manufacturing plant ◇ - additional marking of stainless steel A4 A4 - Trade name (alternatively on distance sleeve) SZ - size of thread (alternatively on distance sleeve) M10 <p>Distance sleeve:</p> <ul style="list-style-type: none"> - Diameter 15 - max. thickness of fixture 25 - additional marking for countersunk version SK <p>additional marking on the washer of anchor size SZ 24/M16L L</p>																																												
<p>Table A1: Designation of anchor parts and materials</p> <table border="1"> <thead> <tr> <th>Part</th> <th>Designation</th> <th>Materials galvanised $\geq 5 \mu\text{m}$, acc. to EN ISO 4042:1999</th> <th>Stainless steel A4</th> </tr> </thead> <tbody> <tr> <td>1</td> <td>Threaded bolt</td> <td>Steel, Strength class 8.8, EN ISO 898-1:2013</td> <td>Stainless steel, 1.4401, 1.4404 or 1.4571, EN 10088:2005</td> </tr> <tr> <td>2</td> <td>Washer</td> <td>Steel, EN 10139:1997</td> <td>Stainless steel, 1.4401, 1.4404 or 1.4571, EN 10088:2005</td> </tr> <tr> <td>3</td> <td>Distance sleeve</td> <td>Precision steel tubes DIN 2394/2393</td> <td>Stainless steel, 1.4401, 1.4404 or 1.4571, EN 10088:2005</td> </tr> <tr> <td>4</td> <td>Ring</td> <td>Polyethylene</td> <td>Polyethylene</td> </tr> <tr> <td>5</td> <td>Expansion sleeve</td> <td>Steel, EN 10139:1997</td> <td>Stainless steel, 1.4401, 1.4404 or 1.4571, EN 10088:2005</td> </tr> <tr> <td>6</td> <td>Threaded cone</td> <td>Steel, Strength class 8, EN ISO 898-2:2012</td> <td>Stainless steel, 1.4401, 1.4404 or 1.4571, EN 10088:2005</td> </tr> <tr> <td>7</td> <td>Hexagon nut</td> <td>Steel, Strength class 8, EN ISO 898-2:2012</td> <td>ISO 3506, strength class 70, stainless steel 1.4401 or 1.4571, EN 10088:2005</td> </tr> <tr> <td>8</td> <td>Hexagon head screw</td> <td>Steel, Strength class 8.8, EN ISO 898-1:2013</td> <td>Stainless steel, 1.4401, 1.4404 or 1.4571, EN 10088:2005</td> </tr> <tr> <td>9</td> <td>Countersunk screw</td> <td>Steel, Strength class 8.8, EN ISO 898-1:2013</td> <td>Stainless steel, 1.4401, 1.4404 or 1.4571, EN 10088:2005</td> </tr> <tr> <td>10</td> <td>Countersunk washer</td> <td>Steel, EN 10083-2:2006</td> <td>Stainless steel, 1.4401, 1.4404 or 1.4571, EN 10088:2005, zinc plated</td> </tr> </tbody> </table>		Part	Designation	Materials galvanised $\geq 5 \mu\text{m}$, acc. to EN ISO 4042:1999	Stainless steel A4	1	Threaded bolt	Steel, Strength class 8.8, EN ISO 898-1:2013	Stainless steel, 1.4401, 1.4404 or 1.4571, EN 10088:2005	2	Washer	Steel, EN 10139:1997	Stainless steel, 1.4401, 1.4404 or 1.4571, EN 10088:2005	3	Distance sleeve	Precision steel tubes DIN 2394/2393	Stainless steel, 1.4401, 1.4404 or 1.4571, EN 10088:2005	4	Ring	Polyethylene	Polyethylene	5	Expansion sleeve	Steel, EN 10139:1997	Stainless steel, 1.4401, 1.4404 or 1.4571, EN 10088:2005	6	Threaded cone	Steel, Strength class 8, EN ISO 898-2:2012	Stainless steel, 1.4401, 1.4404 or 1.4571, EN 10088:2005	7	Hexagon nut	Steel, Strength class 8, EN ISO 898-2:2012	ISO 3506, strength class 70, stainless steel 1.4401 or 1.4571, EN 10088:2005	8	Hexagon head screw	Steel, Strength class 8.8, EN ISO 898-1:2013	Stainless steel, 1.4401, 1.4404 or 1.4571, EN 10088:2005	9	Countersunk screw	Steel, Strength class 8.8, EN ISO 898-1:2013	Stainless steel, 1.4401, 1.4404 or 1.4571, EN 10088:2005	10	Countersunk washer	Steel, EN 10083-2:2006	Stainless steel, 1.4401, 1.4404 or 1.4571, EN 10088:2005, zinc plated
Part	Designation	Materials galvanised $\geq 5 \mu\text{m}$, acc. to EN ISO 4042:1999	Stainless steel A4																																										
1	Threaded bolt	Steel, Strength class 8.8, EN ISO 898-1:2013	Stainless steel, 1.4401, 1.4404 or 1.4571, EN 10088:2005																																										
2	Washer	Steel, EN 10139:1997	Stainless steel, 1.4401, 1.4404 or 1.4571, EN 10088:2005																																										
3	Distance sleeve	Precision steel tubes DIN 2394/2393	Stainless steel, 1.4401, 1.4404 or 1.4571, EN 10088:2005																																										
4	Ring	Polyethylene	Polyethylene																																										
5	Expansion sleeve	Steel, EN 10139:1997	Stainless steel, 1.4401, 1.4404 or 1.4571, EN 10088:2005																																										
6	Threaded cone	Steel, Strength class 8, EN ISO 898-2:2012	Stainless steel, 1.4401, 1.4404 or 1.4571, EN 10088:2005																																										
7	Hexagon nut	Steel, Strength class 8, EN ISO 898-2:2012	ISO 3506, strength class 70, stainless steel 1.4401 or 1.4571, EN 10088:2005																																										
8	Hexagon head screw	Steel, Strength class 8.8, EN ISO 898-1:2013	Stainless steel, 1.4401, 1.4404 or 1.4571, EN 10088:2005																																										
9	Countersunk screw	Steel, Strength class 8.8, EN ISO 898-1:2013	Stainless steel, 1.4401, 1.4404 or 1.4571, EN 10088:2005																																										
10	Countersunk washer	Steel, EN 10083-2:2006	Stainless steel, 1.4401, 1.4404 or 1.4571, EN 10088:2005, zinc plated																																										
<p>Würth High-Performance Anchor W-HAZ/S, W-HAZ/A4</p>																																													
<p>Product description Marking and materials</p>	<p>Annex A2</p>																																												

Specifications of intended use

High-Performance Anchor W-HAZ, steel zinc plated	10/M6	12/M8	15/M10	18/M12	24/M16	24/M16L	28/M20
Static or quasi-static action	✓						
Seismic action (W-HAZ-B and W-HAZ-S)	-	C1 + C2					
Seismic action (W-HAZ-SK)	-	C1 + C2				-	
Fire exposure	R 30 ... R 120						
High-Performance Anchor W-HAZ, stainless steel A4	12/M8	15/M10	18/M12	24/M16			
Static or quasi-static action	✓						
Seismic action (W-HAZ-B and W-HAZ-S)	C1 + C2						
Seismic action (W-HAZ-SK)	C1 + C2				-		
Fire exposure	R30 ... R120						

Base materials:

- Cracked and uncracked concrete
- Reinforced or unreinforced normal weight concrete according to EN 206-1:2000
- Strength classes C20/25 to C50/60 according to EN 206-1:2000

Use conditions (Environmental conditions):

- Structures subject to dry internal conditions (zinc plated steel or stainless steel).
- Structures subject to external atmospheric exposure (including industrial and marine environment) and to permanently damp internal condition, if no particular aggressive conditions exist (stainless steel).

Note: Particular aggressive conditions are e.g. permanent, alternating immersion in seawater or the splash zone of seawater, chloride atmosphere of indoor pools or atmosphere with extreme chemical pollution (e.g. in desulphurization plants or road tunnels where de-icing materials are used.)

Design:

- Anchorages are designed under the responsibility of an engineer experienced in anchorages and concrete work.
- Verifiable calculation notes and drawings are prepared taking account of the loads to be anchored. The position of the anchor is indicated on the design drawings (e.g. position of the anchor relative to reinforcement or to supports, etc.).
- Anchorages under static or quasi-static actions, seismic actions and under fire exposure are designed in accordance with FprEN 1992-4:2016 and TR 055.

Installation:

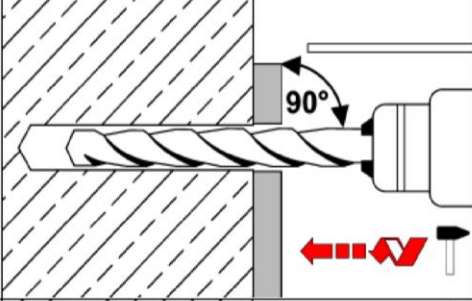
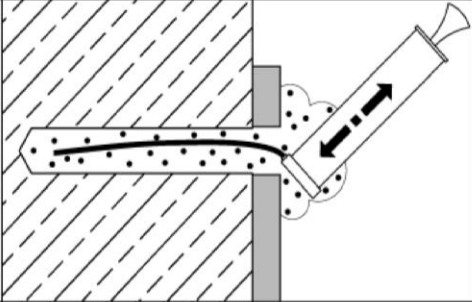
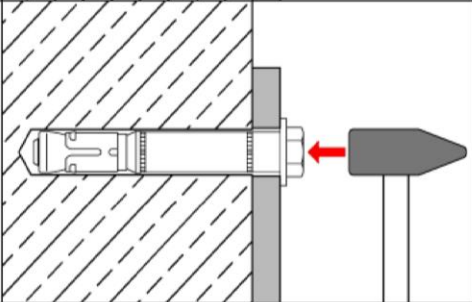
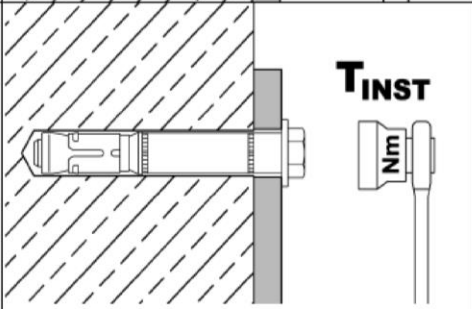
- Anchor installation carried out by appropriately qualified personnel and under the supervision of the person responsible for technical matters of the site.
- In case of aborted hole: new drilling at a minimum distance away of twice the depth of the aborted hole or smaller distance if the aborted drill hole is filled with high strength mortar and if under shear or oblique tension load it is not in the direction of load application.
- Anchor installation such that the effective anchorage depth is complied with. This compliance is ensured when the embedment mark of the anchor does no more exceed the concrete surface.
- Drill hole by hammer drilling only (use of vacuum drill bits is admissible)

Würth High-Performance Anchor W-HAZ/S, W-HAZ/A4

Intended use
Specifications

Annex B1

Installation instructions

1		<p>Drill hole perpendicular to concrete surface. If using a vacuum drill bit, proceed with step 3.</p>
2		<p>Blow out dust. Alternatively vacuum clean down to the bottom of the hole.</p>
3		<p>Drive in anchor.</p>
4		<p>Apply tightening torque T_{inst} by using calibrated torque wrench.</p>

Würth High-Performance Anchor W-HAZ/S, W-HAZ/A4

Intended use
Installation instructions

Annex B2

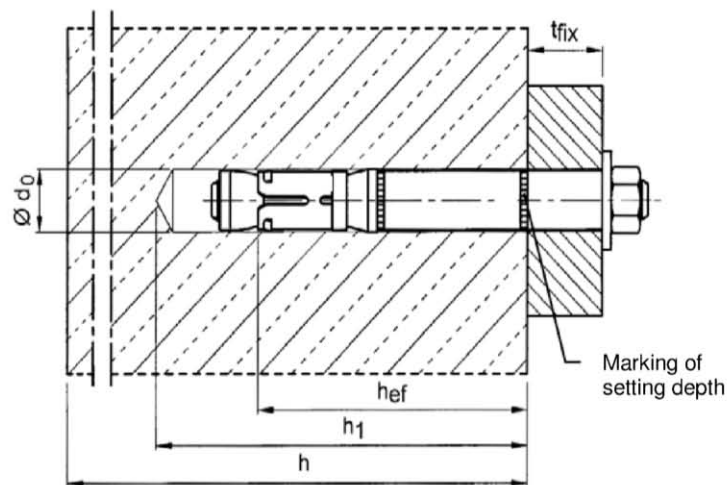
Table B1: Installation parameters, steel zinc plated

Anchor size		10/M6	12/M8	15/M10	18/M12	24/M16	24/M16L	28/M20
Size of thread	[-]	M6	M8	M10	M12	M16	M16	M20
Effective anchorage depth	h_{ef} [mm]	50	60	71	80	100	115	125
Nominal diameter of drill bit	$d_0 =$ [mm]	10	12	15	18	24	24	28
Cutting diameter of drill bit	$d_{cut} \leq$ [mm]	10.45	12.5	15.5	18.5	24.55	24.55	28.55
Depth of drill hole	$h_1 \geq$ [mm]	65	80	95	105	130	145	160
Diameter of clearance hole in the fixture	$d_f \leq$ [mm]	12	14	17	20	26	26	31
Thickness of fixture W-HAZ-B and W-HAZ-S	$t_{fix\ min}$ [mm]	0	0	0	0	0	0	0
	$t_{fix\ max}$ [mm]	200	200	200	250	300	300	300
Thickness of fixture W-HAZ-SK	$t_{fix\ min}^{2)}$ [mm]	8	10	14	18	-	-	-
	$t_{fix\ max}$ [mm]	200	200	200	250	-	-	-
Thickness of countersunk washer W-HAZ-SK	t_{sk} [mm]	4	5	6	7	-	-	-
Required setting torque	T_{inst} (W-HAZ-B, W-HAZ-S) [Nm]	15	30	50	80	160	160	280
	T_{inst} (W-HAZ-SK) [Nm]	10	25	55	70	-	-	-
Minimum thickness of member	h_{min} [mm]	100	120	140	160	200	230	250
Minimum spacing ^{1) 3)} cracked concrete	s_{min} [mm]	50	50	60	70	100	100	125
	for $c \geq$ [mm]	50	80	120	140	180	180	300
Minimum edge distance ^{1) 3)} cracked concrete	c_{min} [mm]	50	55	60	70	100	100	180
	for $s \geq$ [mm]	50	100	120	160	220	220	540
Minimum spacing ^{1) 3)} uncracked concrete	s_{min} [mm]	50	60	60	70	100	100	125
	for $c \geq$ [mm]	80	100	120	140	180	180	300
Minimum edge distance ^{1) 3)} uncracked concrete	c_{min} [mm]	50	60	60	70	100	100	180
	for $s \geq$ [mm]	100	120	120	160	220	220	540

¹⁾ Intermediate values by linear interpolation

²⁾ Depending on the existing shear load, the thickness of the fixture may be reduced to the thickness of the countersunk washer t_{sk} (see Annex A2). It must be verified that the present shear load can be transferred completely into the distance sleeve (bearing of hole).

³⁾ For fire exposure from more than one side $c \geq 300$ mm or $c_{min} \geq 300$ mm applies.



Würth High-Performance Anchor W-HAZ/S, W-HAZ/A4

Intended use
Installation parameters, steel zinc plated

Annex B3

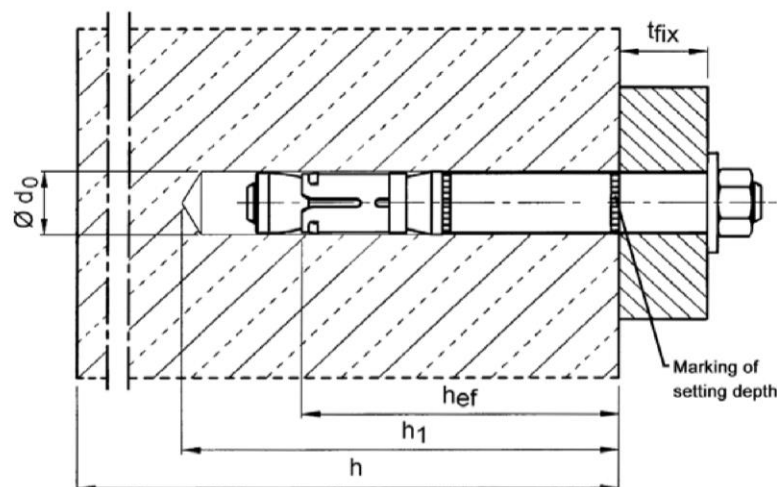
Table B2: Installation parameters, stainless steel A4

Anchor size		12/M8	15/M10	18/M12	24/M16
Size of thread	[-]	M8	M10	M12	M16
Effective anchorage depth	h_{ef} [mm]	60	71	80	100
Nominal diameter of drill bit	$d_0 =$ [mm]	12	15	18	24
Cutting diameter of drill bit	$d_{cut} \leq$ [mm]	12.5	15.5	18.5	24.55
Depth of drill hole	$h_1 \geq$ [mm]	80	95	105	130
Diameter of clearance hole in the fixture	$d_f \leq$ [mm]	14	17	20	26
Thickness of fixture	$t_{fix\ min}$ [mm]	0	0	0	0
W-HAZ-B and W-HAZ-S	$t_{fix\ max}$ [mm]	200	200	250	300
Thickness of fixture	$t_{fix\ min}^{2)}$ [mm]	10	14	18	-
W-HAZ-SK	$t_{fix\ max}$ [mm]	200	200	250	-
Thickness of countersunk washer	t_{sk} [mm]	5	6	7	-
Required setting torque	T_{inst} (W-HAZ-B) [Nm]	35	55	90	170
	T_{inst} (W-HAZ-S) [Nm]	30	50	80	170
	T_{inst} (W-HAZ-SK) [Nm]	17.5	42.5	50	-
Minimum thickness of member	h_{min} [mm]	120	140	160	200
Minimum spacing ^{1) 3)} cracked concrete	s_{min} [mm]	50	60	70	80
	for $c \geq$ [mm]	80	120	140	180
Minimum edge distance ^{1) 3)} cracked concrete	c_{min} [mm]	50	60	70	80
	for $s \geq$ [mm]	80	120	160	200
Minimum spacing ^{1) 3)} uncracked concrete	s_{min} [mm]	50	60	70	80
	for $c \geq$ [mm]	80	120	140	180
Minimum edge distance ^{1) 3)} uncracked concrete	c_{min} [mm]	50	85	70	180
	for $s \geq$ [mm]	80	185	160	80

¹⁾ Intermediate values by linear interpolation

²⁾ Depending on the existing shear load, the thickness of the fixture may be reduced to the thickness of the countersunk washer t_{sk} (see Annex A2). It must be verified that the present shear load can be transferred completely into the distance sleeve (bearing of hole).

³⁾ For fire exposure from more than one side $c \geq 300$ mm or $c_{min} \geq 300$ mm applies.



Würth High-Performance Anchor W-HAZ/S, W-HAZ/A4

Intended use
Installation parameters, stainless steel A4

Annex B4

Table C1: Characteristic values for **tension load, cracked concrete**
under static or quasi-static action, **steel zinc plated**

Anchor size			10/M6	12/M8	15/M10	18/M12	24/M16	24/M16L	28/M20	
Installation safety factor	γ_{inst}	[-]	1.0							
Steel failure										
Characteristic resistance	$N_{Rk,s}$	[kN]	16	29	46	67	126	126	196	
Partial safety factor	γ_{Ms}	[-]	1.5							
Pull-out failure										
Characteristic resistance in cracked concrete C20/25	$N_{Rk,p}$	[kN]	5	12	16	1)	1)	1)	1)	
Increasing factor for $N_{Rk,p}$	ψ_C	[-]	$\left(\frac{f_{ck}}{20}\right)^{0,5}$							
Concrete cone failure										
Effective anchorage depth	h_{ef}	[mm]	50	60	71	80	100	115	125	
Factor for k_1	$k_{cr,N}$	[-]	7.7							

1) Pull-out is not decisive.

Table C2: Characteristic values for **tension load, cracked concrete**
under static or quasi-static action, **stainless steel A4**

Anchor size			12/M8	15/M10	18/M12	24/M16
Installation safety factor	γ_{inst}	[-]	1.0			
Steel failure						
W-HAZ-B						
Characteristic resistance	$N_{Rk,s}$	[kN]	26	41	60	110
Partial safety factor	γ_{Ms}	[-]	1.5			
W-HAZ-S and W-HAZ-SK						
Characteristic resistance	$N_{Rk,s}$	[kN]	26	41	60	110
Partial safety factor	γ_{Ms}	[-]	1.87			
Pull-out failure						
Characteristic resistance in cracked concrete C20/25	$N_{Rk,p}$	[kN]	9	16	1)	1)
Increasing factor for $N_{Rk,p}$	ψ_C	[-]	$\left(\frac{f_{ck}}{20}\right)^{0,5}$			
Concrete cone failure						
Effective anchorage depth	h_{ef}	[mm]	60	71	80	100
Factor for k_1	$k_{cr,N}$	[-]	7.7			

1) Pull-out is not decisive.

Würth High-Performance Anchor W-HAZ/S, W-HAZ/A4

Performance

Characteristic values for **tension load in cracked concrete** under static or quasi-static action

Annex C1

Table C3: Characteristic values for **tension load in uncracked concrete**,
under static or quasi-static action, **steel zinc plated**

Anchor size			10/M6	12/M8	15/M10	18/M12	24/M16	24/M16L	28/M20	
Installation safety factor	γ_{inst}	[-]	1.0							
Steel failure										
Characteristic resistance	$N_{Rk,s}$	[kN]	16	29	46	67	126	126	196	
Partial safety factor	γ_{Ms}	[-]	1.5							
Pull-out failure										
Characteristic resistance in uncracked concrete C20/25	$N_{Rk,p}$	[kN]	1) ¹⁾	20	1) ¹⁾	1) ¹⁾	1) ¹⁾	1) ¹⁾	1) ¹⁾	
Splitting failure (The higher resistance of case 1 and case 2 may be applied.)										
Case 1										
Characteristic resistance in uncracked concrete C20/25	$N^0_{Rk,sp}$	[kN]	12	16	25	30	40	70	50	
Edge distance	$c_{cr,sp}$	[mm]	1.5 h_{ef}							
Case 2										
Characteristic resistance in uncracked concrete C20/25	$N^0_{Rk,sp}$	[kN]	17.4	20.0	29.4	35.2	49.2	60.7	68.8	
Edge distance	$c_{cr,sp}$	[mm]	2.5 h_{ef}					1.5 h_{ef}	2.5 h_{ef}	
Increasing factor for $N_{Rk,p}$ and $N^0_{Rk,sp}$	ψ_C	[-]	$\left(\frac{f_{ck}}{20}\right)^{0,5}$							
Concrete cone failure										
Effective Anchorage depth	h_{ef}	[mm]	50	60	71	80	100	115	125	
Edge distance	$c_{cr,N}$	[mm]	1.5 h_{ef}							
Factor for k_1	$k_{ucr,N}$	[-]	11.0							

¹⁾ Pull-out is not decisive.

Würth High-Performance Anchor W-HAZ/S, W-HAZ/A4

Performance

Characteristic values for **tension load in uncracked concrete**, under static or quasi-static action, **steel zinc plated**

Annex C2

Table C4: Characteristic values for **tension load** in **uncracked concrete** under static or quasi-static action, **stainless steel A4**

Anchor size			12/M8	15/M10	18/M12	24/M16
Installation safety factor	γ_{inst}	[-]	1.0			
Steel failure						
W-HAZ-B						
Characteristic resistance	$N_{Rk,s}$	[kN]	26	41	60	110
Partial safety factor	γ_{Ms}	[-]	1.5			
W-HAZ-S and W-HAZ-SK						
Characteristic resistance	$N_{Rk,s}$	[kN]	26	41	60	110
Partial safety factor	γ_{Ms}	[-]	1.87			
Pull-out failure						
Characteristic resistance in uncracked concrete C20/25	$N_{Rk,p}$	[kN]	16	25	35	¹⁾
Splitting failure						
Characteristic resistance in uncracked concrete C20/25	$N^0_{Rk,sp}$	[kN]	16	25	35	49.2
Edge distance	$c_{cr,sp}$	[mm]	180	235	265	300
Increasing factor for $N_{Rk,p}$ and $N^0_{Rk,sp}$	ψ_C	[-]	$\left(\frac{f_{ck}}{20}\right)^{0,5}$			
Concrete cone failure						
Effective anchorage depth	h_{ef}	[mm]	60	71	80	100
Edge distance	$c_{cr,N}$	[mm]	$1.5 h_{ef}$			
Factor for k_1	$k_{Ucr,N}$	[-]	11.0			

¹⁾ Pull-out is not decisive.

Würth High-Performance Anchor W-HAZ/S, W-HAZ/A4

Performance

Characteristic values for **tension loads** in **uncracked concrete** under static or quasi-static action, **stainless steel A4**

Annex C3

Table C5: Characteristic values of **shear load** under static or quasi-static action, **steel zinc plated**

Anchor size			10/M6	12/M8	15/M10	18/M12	24/M16	24/M16L	28/M20
Steel failure without lever arm									
W-HAZ-B									
Characteristic resistance	$V_{Rk,s}$	[kN]	16	25	36	63	91	91	122
Factor	k_7	[-]	1.0						
W-HAZ-S									
Characteristic resistance	$V_{Rk,s}$	[kN]	18	30	48	73	126	126	150
Factor	k_7	[-]	1.0						
W-HAZ-SK									
Characteristic resistance	$V_{Rk,s}$	[kN]	18	30	48	73	126	126	150
Factor	k_7	[-]	1.0						
Partial safety factor	γ_{Ms}	[-]	1.25						
Steel failure with lever arm									
Characteristic resistance	$M^0_{Rk,s}$	[Nm]	12	30	60	105	266	266	519
Partial safety factor	γ_{Ms}	[-]	1.25						
Concrete pry-out failure									
Factor	k_8	[-]	1.8	2.0					
Concrete edge failure									
Effective length of anchor in shear loading	l_f	[mm]	50	60	71	80	100	115	125
Outside diameter of anchor	d_{nom}	[mm]	10	12	15	18	24	24	28

Würth High-Performance Anchor W-HAZ/S, W-HAZ/A4

Performance
Characteristic values for **shear load** under static or quasi-static action, **steel zinc plated**

Annex C4

Table C6: Characteristic values for **shear load** under static or quasi-static action, **stainless steel A4**

Anchor size			12/M8	15/M10	18/M12	24/M16
Steel failure without lever arm						
Characteristic resistance	$V_{Rk,s}$	[kN]	24	37	62	92
W-HAZ-B						
Factor	k_7	[-]	1.0			
Partial safety factor	γ_{Ms}	[-]	1.25			
W-HAZ-S						
Factor	k_7	[-]	1.0			
Partial safety factor	γ_{Ms}	[-]	1.36			
W-HAZ-SK						
Factor	k_7	[-]	0.8			
Partial safety factor	γ_{Ms}	[-]	1.36			
Steel failure with lever arm						
Characteristic resistance	$M^0_{Rk,s}$	[Nm]	26	52	92	232
W-HAZ-B						
Factor	k_7	[-]	1.0			
Partial safety factor	γ_{Ms}	[-]	1.25			
W-HAZ-S						
Factor	k_7	[-]	1.0			
Partial safety factor	γ_{Ms}	[-]	1.56			
W-HAZ-SK						
Factor	k_7	[-]	0.8			
Partial safety factor	γ_{Ms}	[-]	1.56			
Concrete pry-out failure						
Factor	k_8	[-]	2.0			
Concrete edge failure						
Effective length of anchor in shear loading	l_f	[mm]	60	71	80	100
Outside diameter of anchor	d_{nom}	[mm]	12	15	18	24

Würth High-Performance Anchor W-HAZ/S, W-HAZ/A4

Performance
Characteristic values for **shear load** under static or quasi-static action, **stainless steel A4**

Annex C5

Table C7: Characteristic values for **seismic action, Category C1 and C2, steel zinc plated**

Anchor size			12/M8	15/M10	18/M12	24/M16	24/M16L	28/M20
Tension load								
Installation safety factor	γ_{inst}	[-]	1.0					
Steel failure								
Characteristic tension resistance category C1	$N_{Rk,s,eq,C1}$	[kN]	29	46	67	126	126	196
Characteristic tension resistance category C2	$N_{Rk,s,eq,C2}$	[kN]	29	46	67	126	126	196
Partial safety factor	γ_{Ms}	[-]	1.5					
Pull-out failure								
Characteristic tension resistance category C1	$N_{Rk,p,eq,C1}$	[kN]	12	16	25	36	44.4	50.3
Characteristic tension resistance category C2	$N_{Rk,p,eq,C2}$	[kN]	5.4	16.4	22.6	29.0	41.2	43.6
Shear load								
Steel failure without lever arm								
W-HAZ-B								
Characteristic shear resistance category C1	$V_{Rk,s,eq,C1}$	[kN]	18.0	27.1	43.4	51.9	51.9	96.4
Characteristic shear resistance category C2	$V_{Rk,s,eq,C2}$	[kN]	12.7	20.5	31.5	50.1	50.1	67.1
W-HAZ-S								
Characteristic shear resistance category C1	$V_{Rk,s,eq,C1}$	[kN]	18.0	27.1	43.4	51.9	51.9	96.4
Characteristic shear resistance category C2	$V_{Rk,s,eq,C2}$	[kN]	12.7	20.5	31.5	69.3	69.3	67.1
W-HAZ-SK								
Characteristic shear resistance category C1	$V_{Rk,s,eq,C1}$	[kN]	25.2	36.5	50.4	-	-	-
Characteristic shear resistance category C2	$V_{Rk,s,eq,C2}$	[kN]	19.2	29.3	39.4	-	-	-
Partial safety factor	γ_{Ms}	[-]	1.25					

Würth High-Performance Anchor W-HAZ/S, W-HAZ/A4

Performance
Characteristic values for **seismic action, steel zinc plated**

Annex C6

Table C8: Characteristic values for **seismic action, Category C1 and C2, stainless steel A4**

Anchor size			12/M8	15/M10	18/M12	24/M16
Tension load						
Installation safety factor	γ_{inst}	[-]	1.0			
Steel failure						
Characteristic tension resistance, category C1	$N_{Rk,s,eq,C1}$	[kN]	26	41	60	110
Characteristic tension resistance, category C2	$N_{Rk,s,eq,C2}$	[kN]	26	41	60	110
Partial safety factor W-HAZ-B	γ_{Ms}	[-]	1.5			
Partial safety factor W-HAZ-S and W-HAZ-SK	γ_{Ms}	[-]	1.87			
Pull-out failure						
Characteristic tension resistance, category C1	$N_{Rk,p,eq,C1}$	[kN]	9	16	26	36
Characteristic tension resistance, category C2	$N_{Rk,p,eq,C2}$	[kN]	4.8	16.5	24.8	44.5
Shear load						
Steel failure without lever arm						
W-HAZ-B						
Characteristic shear resistance, category C1	$V_{Rk,s,eq,C1}$	[kN]	9.6	13.3	25.4	75.4
Characteristic shear resistance, category C2	$V_{Rk,s,eq,C2}$	[kN]	9.7	14.0	18.0	32.2
Partial safety factor	γ_{Ms}	[-]	1.25			
W-HAZ-S						
Characteristic shear resistance, category C1	$V_{Rk,s,eq,C1}$	[kN]	9.6	13.3	25.4	75.4
Characteristic shear resistance, category C2	$V_{Rk,s,eq,C2}$	[kN]	9.7	14.0	18.0	32.2
Partial safety factor	γ_{Ms}	[-]	1.36			
W-HAZ-SK						
Characteristic shear resistance, category C1	$V_{Rk,s,eq,C1}$	[kN]	11.5	23.3	31.6	-
Characteristic shear resistance, category C2	$V_{Rk,s,eq,C2}$	[kN]	10.8	17.4	15.4	-
Partial safety factor	γ_{Ms}	[-]	1.36			

Würth High-Performance Anchor W-HAZ/S, W-HAZ/A4

Performance
Characteristic values for **seismic action, stainless steel A4**

Annex C7

Table C9: Characteristic values under **fire exposure** in cracked and uncracked concrete C20/25 to C50/60

Anchor size		10/M6	12/M8	15/M10	18/M12	24/M16	24/M16L	28/M20		
Tension load										
Steel failure										
Steel zinc plated										
Characteristic resistance	R30	$N_{Rk,s,fi}$	[kN]	1.0	1.9	4.3	6.3	11.6	18.3	
	R60			0.8	1.5	3.2	4.6	8.6	13.5	
	R90			0.6	1.0	2.1	3.0	5.0	7.7	
	R120			0.4	0.8	1.5	2.0	3.1	4.9	
Stainless steel A4										
Characteristic resistance	R30	$N_{Rk,s,fi}$	[kN]	-	6.1	10.2	15.7	29.2	-	-
	R60			-	4.4	7.3	11.1	20.6	-	-
	R90			-	2.6	4.3	6.4	12.0	-	-
	R120			-	1.8	2.8	4.1	7.7	-	-
Shear load										
Steel failure without lever arm										
Steel zinc plated										
Characteristic resistance	R30	$V_{Rk,s,fi}$	[kN]	1.0	1.9	4.3	6.3	11.6	18.3	
	R60			0.8	1.5	3.2	4.6	8.6	13.5	
	R90			0.6	1.0	2.1	3.0	5.0	7.7	
	R120			0.4	0.8	1.5	2.0	3.1	4.9	
Stainless steel A4										
Characteristic resistance	R30	$V_{Rk,s,fi}$	[kN]	-	14.3	22.7	32.8	61.0	-	-
	R60			-	11.1	17.6	25.5	47.5	-	-
	R90			-	7.9	12.6	18.3	34.0	-	-
	R120			-	6.3	10.0	14.6	27.2	-	-
Steel failure with lever arm										
Steel zinc plated										
Characteristic resistance	R30	$M^0_{Rk,s,fi}$	[Nm]	0.8	2.0	5.6	9.7	24.8	42.4	
	R60			0.6	1.5	4.1	7.2	18.3	29.8	
	R90			0.4	1.0	2.7	4.7	11.9	17.1	
	R120			0.3	0.8	1.9	3.1	6.6	10.7	
Stainless steel A4										
Characteristic resistance	R30	$M^0_{Rk,s,fi}$	[Nm]	-	6.2	13.2	24.4	61.8	-	-
	R60			-	4.5	9.4	17.2	43.6	-	-
	R90			-	2.7	5.6	10.0	25.3	-	-
	R120			-	1.8	3.6	6.4	16.2	-	-

If pull-out is not decisive in Equation (D.4) and (D.5), $N_{Rk,p}$ must be replaced by $N^0_{Rk,c}$.

Würth High-Performance Anchor W-HAZ/S, W-HAZ/A4

Performance
Characteristic values under **fire exposure**

Annex C8

Table C10: Displacements under tension and shear load, steel zinc plated

Anchor size			10/M6	12/M8	15/M10	18/M12	24/M16	24/M16L	28/M20
Tension load									
Tension load in cracked concrete	N	[kN]	2.4	5.7	7.6	12.3	17.1	21.1	24
Displacement	δ_{N0}	[mm]	0.5	0.5	0.5	0.7	0.8	0.7	0.9
	$\delta_{N\infty}$	[mm]	2.0	2.0	1.3	1.3	1.3	1.3	1.4
Tension load in uncracked concrete	N	[kN]	8.5	9.5	14.3	17.2	24	29.6	34
Displacement	δ_{N0}	[mm]	0.8	1.0	1.1		1.3		0.3
	$\delta_{N\infty}$	[mm]	3.4		1.7		2.3		1.4
Seismic action C2									
Displacement for DLS	$\delta_{N,eq(DLS)}$	[mm]	-	3.3	3.0	5.0	3.0	3.0	4.0
Displacement for ULS	$\delta_{N,eq(ULS)}$	[mm]	-	12.2	11.3	16.0	9.2	9.2	13.8
Shear load									
W-HAZ-B									
Shear load in cracked and uncracked concrete	V	[kN]	9.1	14	20.7	35.1	52.1	52.1	77
Displacement	δ_{V0}	[mm]	2.5	2.1	2.7	3.0	5.1	5.1	4.3
	$\delta_{V\infty}$	[mm]	3.8	3.1	4.1	4.5	7.6	7.6	6.5
Seismic action C2									
Displacement for DLS	$\delta_{V,eq(DLS)}$	[mm]	-	2.3	3.1	3.0	2.6	2.6	1.6
Displacement for ULS	$\delta_{V,eq(ULS)}$	[mm]	-	4.8	6.4	6.1	6.6	6.6	4.8
W-HAZ-S									
Shear load in cracked and uncracked concrete	V	[kN]	10.1	17.1	27.5	41.5	72	72	77
Displacement	δ_{V0}	[mm]	2.9	2.5	3.6	3.5	7.0	7.0	4.3
	$\delta_{V\infty}$	[mm]	4.4	3.8	5.4	5.3	10.5	10.5	6.5
Seismic action C2									
Displacement for DLS	$\delta_{V,eq(DLS)}$	[mm]	-	2.3	3.1	3.0	3.3	3.3	1.6
Displacement for ULS	$\delta_{V,eq(ULS)}$	[mm]	-	4.8	6.4	6.1	8.2	8.2	4.8
W-HAZ-SK									
Shear load in cracked and uncracked concrete	V	[kN]	10.1	17.1	27.5	41.5	72	72	77
Displacement	δ_{V0}	[mm]	2.9	2.5	3.6	3.5	7.0	7.0	4.3
	$\delta_{V\infty}$	[mm]	4.4	3.8	5.4	5.3	10.5	10.5	6.5
Seismic action C2									
Displacement for DLS	$\delta_{V,eq(DLS)}$	[mm]	-	3.1	3.9	3.9	-	-	-
Displacement for ULS	$\delta_{V,eq(ULS)}$	[mm]	-	10.2	11.8	13.0	-	-	-

Würth High-Performance Anchor W-HAZ/S, W-HAZ/A4

Performance
Displacements under tension and shear load, steel zinc plated

Annex C9

Table C11: Displacements under tension and shear load, **stainless steel A4**

Anchor size			12/M8	15/M10	18/M12	24/M16
Tension load						
Tension load in cracked concrete	N	[kN]	4.3	7.6	12.1	17.0
Displacement	δ_{N0}	[mm]	0.5	0.5	1.3	0.5
	$\delta_{N\infty}$	[mm]	1.2	1.6	1.8	1.6
Tension load in uncracked concrete	N	[kN]	7.6	11.9	16.7	24.1
Displacement	δ_{N0}	[mm]	0.2	0.3	1.2	1.5
	$\delta_{N\infty}$	[mm]	1.1	-	-	-
Seismic action C2						
Displacement for DLS	$\delta_{N,eq(DLS)}$	[mm]	4.7	4.5	4.3	4.9
Displacement for ULS	$\delta_{N,eq(ULS)}$	[mm]	13.3	12.7	9.7	10.1
Shear load						
Shear load in cracked concrete	V	[kN]	13.9	21.1	34.7	50.8
Displacement	δ_{V0}	[mm]	3.4	4.9	4.8	6.7
	$\delta_{V\infty}$	[mm]	5.1	7.4	7.1	10.1
Seismic action C2						
W-HAZ-B, W-HAZ-S						
Displacement for DLS	$\delta_{V,eq(DLS)}$	[mm]	2.8	3.1	2.6	3.3
Displacement for ULS	$\delta_{V,eq(ULS)}$	[mm]	5.6	5.8	5.0	6.9
W-HAZ-SK						
Displacement for DLS	$\delta_{V,eq(DLS)}$	[mm]	2.5	2.8	2.9	-
Displacement for ULS	$\delta_{V,eq(ULS)}$	[mm]	5.8	5.9	6.9	-

Würth High-Performance Anchor W-HAZ/S, W-HAZ/A4

Performance
Displacements under tension and shear load, **stainless steel A4**

Annex C10