

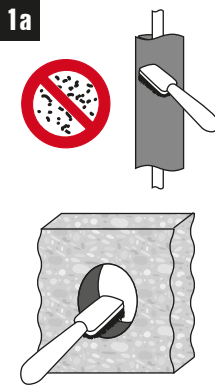


**QR**

www.hilti.group  
EN: <http://fsselector.hilti.com>



**1a**



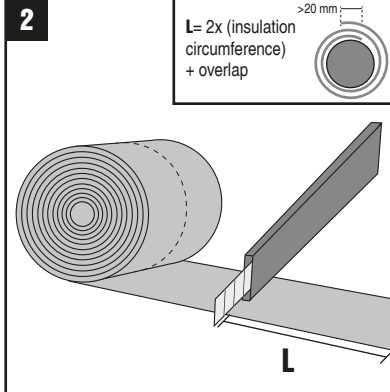
**1b**



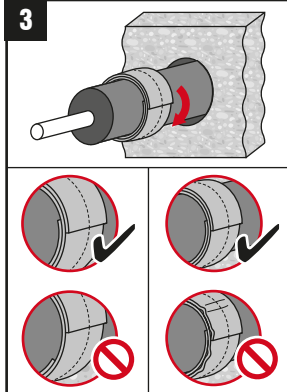
**2**

$L = 2x$  (insulation circumference) + overlap

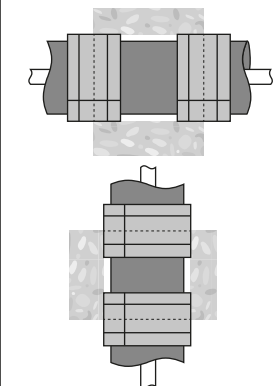
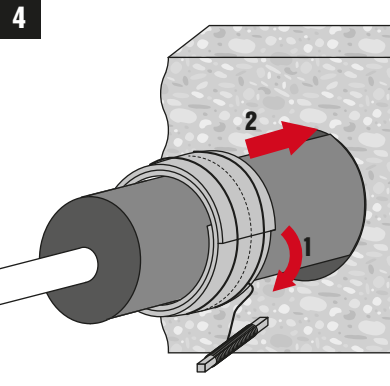
>20 mm



**3**



**4**



**5**

