



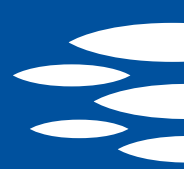
**EBARA**

**Ego**  
HIGH EFFICIENCY ELECTRONIC CIRCULATORS



**50 Hz**





# Ego

## ELECTRONIC VARIABLE SPEED CIRCULATORS (single and twin types)

ErP ready



New range of electronically-controlled circulators with permanent magnet rotors.

Ego circulators differ from standard, fixed-speed pumps due to their capability for continuous adjustment based on the actual demands of the system; this feature allows you to make considerable savings in electricity, as well as guarantee reduced noise levels. The product complies with the European EuP/ErP Directive on new energy efficiency standards, coming into force in January 2013.

### APPLICATIONS

- Hot and cold water circulation in general
- Air-conditioning plants
- Industrial, domestic and central heating systems
- Constant and variable flow systems where work point optimization is required

### GENERAL FEATURES\*

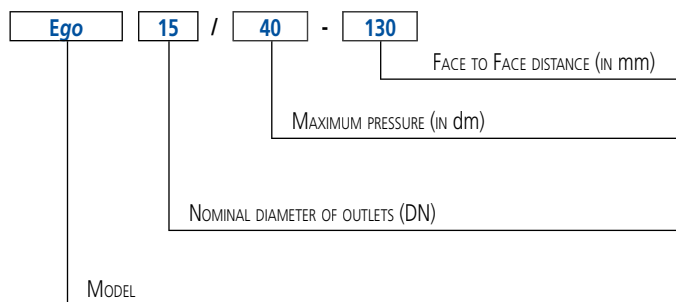
- Automatic adjustment and operation
- Integrated frequency converter
- Permanent magnet rotor
- Integrated, differential pressure control
- Various regulation modes (automatic, constant speed, variable  $\Delta p$ , constant  $\Delta p$ )
- Night-time mode
- Easy installation and regulation
- Contact 0-10V
- Communication module for distance control

### MAIN TECHNICAL SPECIFICATIONS (valid for all models)

- Maximum operating pressure: 10 bar
- Maximum ambient temperature: 40°C
- Maximum liquid viscosity: 10 mm<sup>2</sup>/s (10cst)
- Insulation Class: H
- Protection rating: IP44
- Supply voltage 1~230V - 50 Hz

\* Refer to the technical information sheet of each single family/model

### IDENTIFICATION CODE\*\*

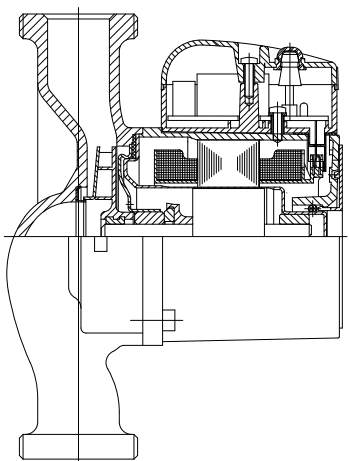


\*\* For larger sizes, only the nominal diameter (DN) and maximum pressure (in dm) are indicated, or just the DN



## THREADED CIRCULATORS (Single and twin types)

Ego -/40, -/60, -/80



### Operating modes

Two operating modes that can be selected via the button on the terminal box:

- **Proportional  $\Delta p$**

In this mode, the pump automatically regulates the differential pressure based on the flow rate, in accordance with 3 linear curves (that can be selected). This allows the power and energy consumption to be reduced.

- **Constant speed**

In this mode, the pump is made to run at a constant speed. You can select the 3 fixed speed curves shown in the Q/H diagram. In this case, the pump behaves like a normal, unregulated pump and the power absorbed remains constant.

### FEATURES

- Integrated frequency converter
- Permanent magnet rotor
- Automatic venting
- Easy installation and regulation
- Internal lining in cataphoresis (optional)
- Contact 0-10V (optional, see "ER" versions)

### MATERIALS

- Pump housing: cast iron
- Impeller: technopolymer
- Shaft: ceramics
- Radial bearing: ceramics
- Separator tube: stainless steel AISI 316
- Support plate: stainless steel AISI 316

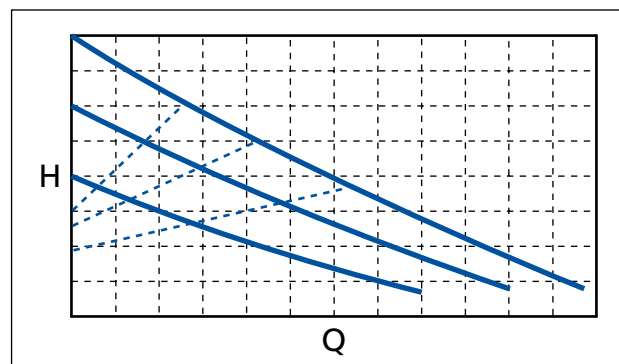
### PERMITTED LIQUIDS

- Mixture of water and glycols (max 20%)
- Liquids that are clear, clean, non-aggressive and non-explosive, with no solid particles or fibres

### PERMITTED TEMPERATURE RANGE

- Fluid temperature range: +5°C to +95°C
- Ambient temperature  $\leq$  40°C

### OPERATING MODES



Proportional  $\Delta p$   
Constant speed

(- - - - -)  
(—————)

Available in TWIN version. For more information please contact our sales network.

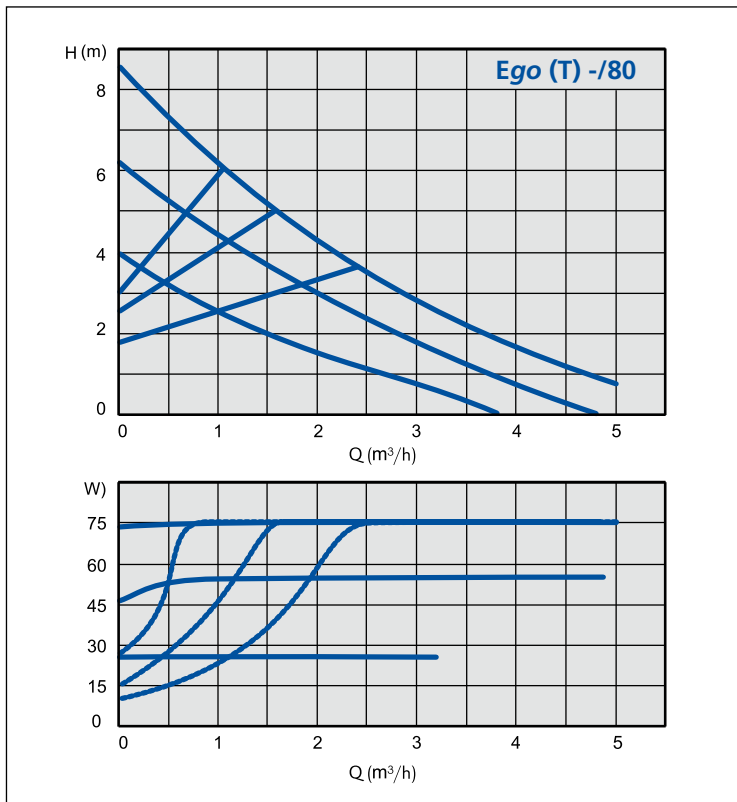
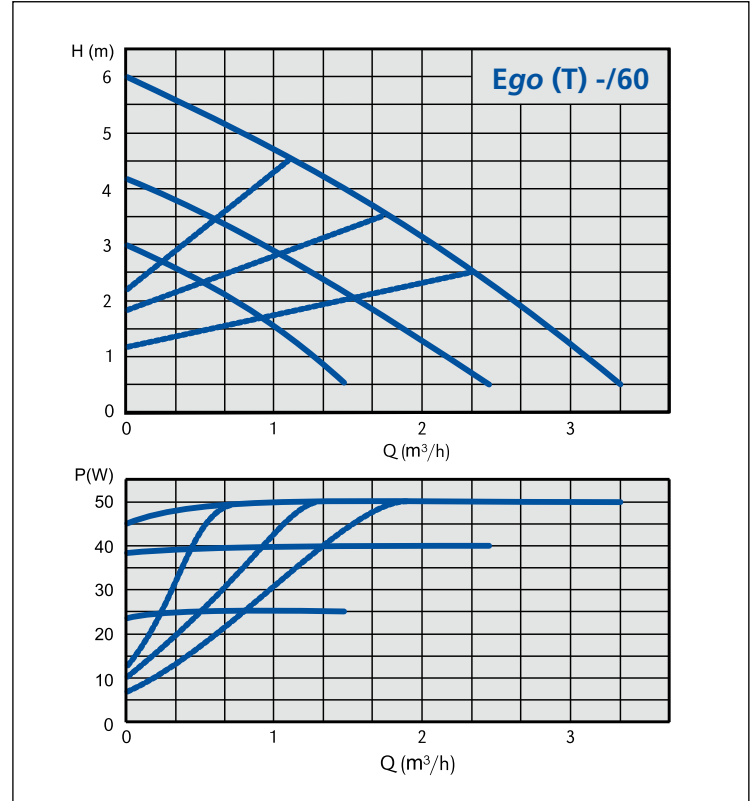
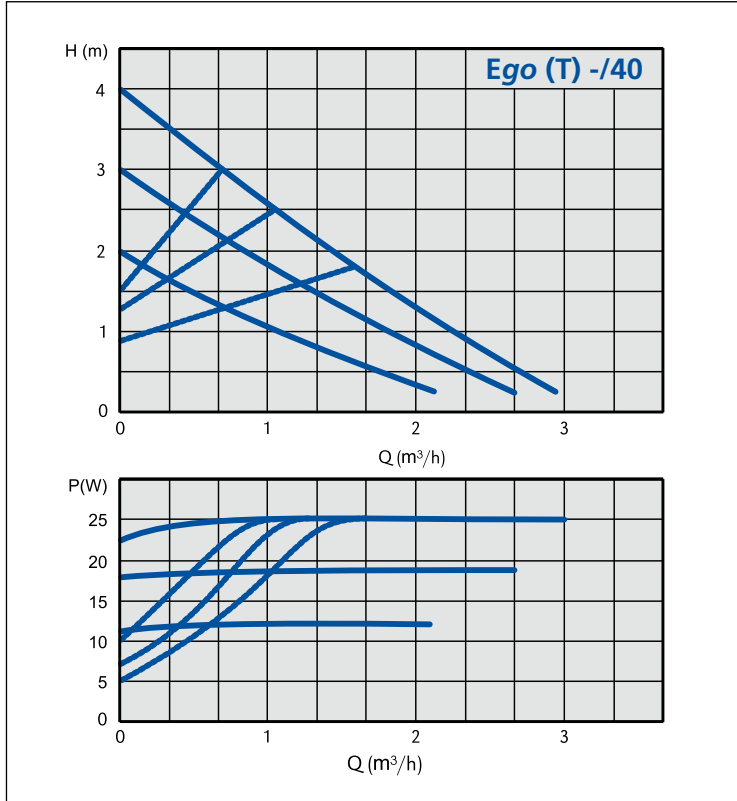


# Ego

## THREADED CIRCULATORS (Single and twin types)

Ego -/40, -/60, -/80

### PERFORMANCE CURVES



The contents of this publication must not be regarded as binding. EBARA Pumps Europe S.p.A. reserves the right to effect any modification it deems necessary, without prior notice.

## THREADED CIRCULATORS (Single and twin types)

Ego -/40, -/60, -/80

### TECHNICAL FEATURES single

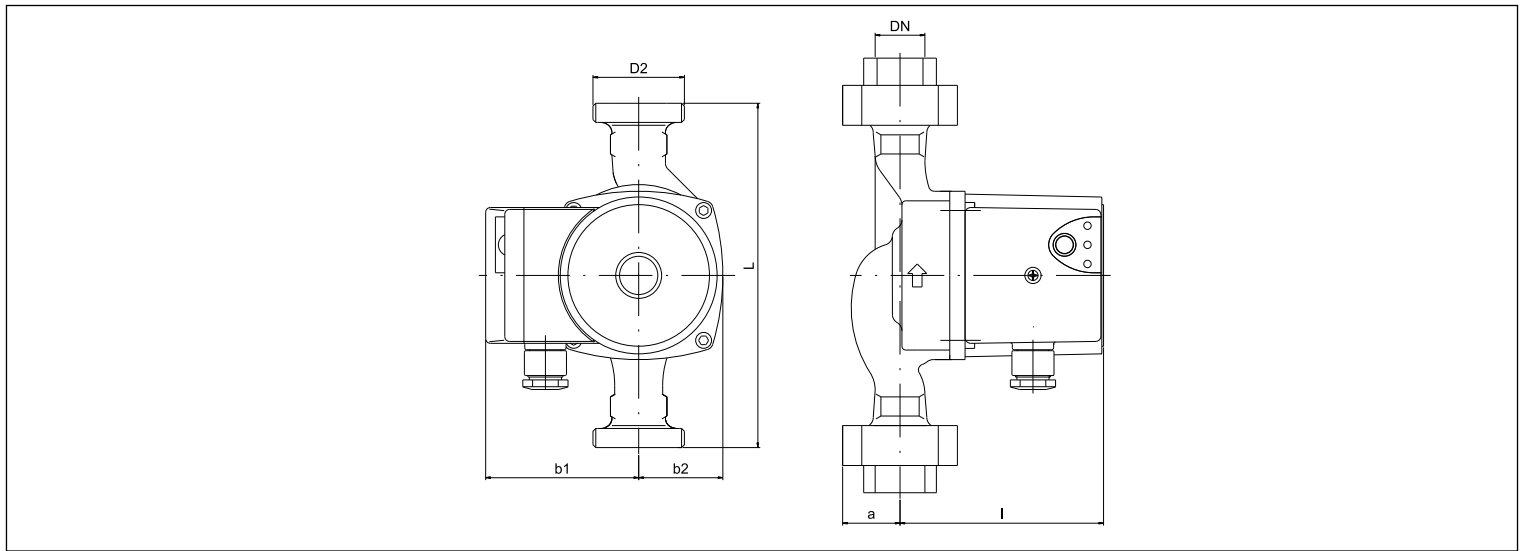
Code*	Model	EEI (Energy Efficiency Index)	Face to Face distance [mm]	DN	Pump connection	Pipeline connection	Fluid temperature (min - max °C)	PN [bar]	P <sub>1</sub> max [W]	In max 1~230V [A]	Minimum suction pressure [bar]			Weight [kg]
											50°C	80°C	110°C	
1576000000	Ego (ER) 15/40-130	≤ 0,20	130	15	G1"	Rp ½"	+5 +95	10	25	0,2	0,05	0,4	1,1	1,9
1576000001	Ego (ER) 25/40-130	≤ 0,20	130	25	G1 ½"	Rp 1"	+5 +95	10	25	0,2	0,05	0,4	1,1	2,1
1576000002	Ego (ER) 15/60-130	≤ 0,22	130	15	G1"	Rp ½"	+5 +95	10	50	0,4	0,05	0,4	1,1	1,9
1576000003	Ego (ER) 25/60-130	≤ 0,22	130	25	G1 ½"	Rp 1"	+5 +95	10	50	0,4	0,05	0,4	1,1	2,1
1576000004	Ego (ER) 25/80-130	≤ 0,24	130	25	G1 ½"	Rp 1"	+5 +95	10	75	0,6	0,05	0,4	1,1	2,1
1576000005	Ego (ER) 25/40-180	≤ 0,20	180	25	G1 ½"	Rp 1"	+5 +95	10	25	0,2	0,05	0,4	1,1	2,4
1576000006	Ego (ER) 32/40-180	≤ 0,20	180	32	G2"	Rp 1 ¼"	+5 +95	10	25	0,2	0,05	0,4	1,1	2,5
1576000007	Ego (ER) 25/60-180	≤ 0,22	180	25	G1 ½"	Rp 1"	+5 +95	10	50	0,4	0,05	0,4	1,1	2,4
1576000008	Ego (ER) 32/60-180	≤ 0,22	180	32	G2"	Rp 1 ¼"	+5 +95	10	50	0,4	0,05	0,4	1,1	2,5
1576000009	Ego (ER) 25/80-180	≤ 0,24	180	25	G1 ½"	Rp 1"	+5 +95	10	75	0,6	0,05	0,4	1,1	2,4
1576000010	Ego (ER) 32/80-180	≤ 0,24	180	32	G2"	Rp 1 ¼"	+5 +95	10	75	0,6	0,05	0,4	1,1	2,5

\* The code refers to the standard version. For the optional version with integrated contact 0-10V ("Ego ER"), please contact our sales network

### TECHNICAL FEATURES twin

Code	Model	EEI (Energy Efficiency Index)	Face to Face distance [mm]	DN	Pump connection	Pipeline connection	Fluid Temperature (min - max °C)	PN [bar]	P <sub>1</sub> max [W]	In max 1~230V [A]	Minimum suction pressure [bar]			Weight [kg]
											50°C	80°C	110°C	
1576000069	Ego T 25/80-180	≤ 0,24	180	25	G1 ½"	Rp 1"	+5 +95	10	75	0,4	0,05	0,4	1,1	5,7
1576000070	Ego T 32/80-180	≤ 0,24	180	32	G2"	Rp 1 ¼"	+5 +95	10	75	0,4	0,05	0,4	1,1	5,7
1576000071	Ego T 25/60-180	≤ 0,22	180	25	G1 ½"	Rp 1"	+5 +95	10	50	0,6	0,05	0,4	1,1	5,5
1576000072	Ego T 32/60-180	≤ 0,22	180	32	G2"	Rp 1 ¼"	+5 +95	10	50	0,6	0,05	0,4	1,1	5,5

### DIMENSIONS single



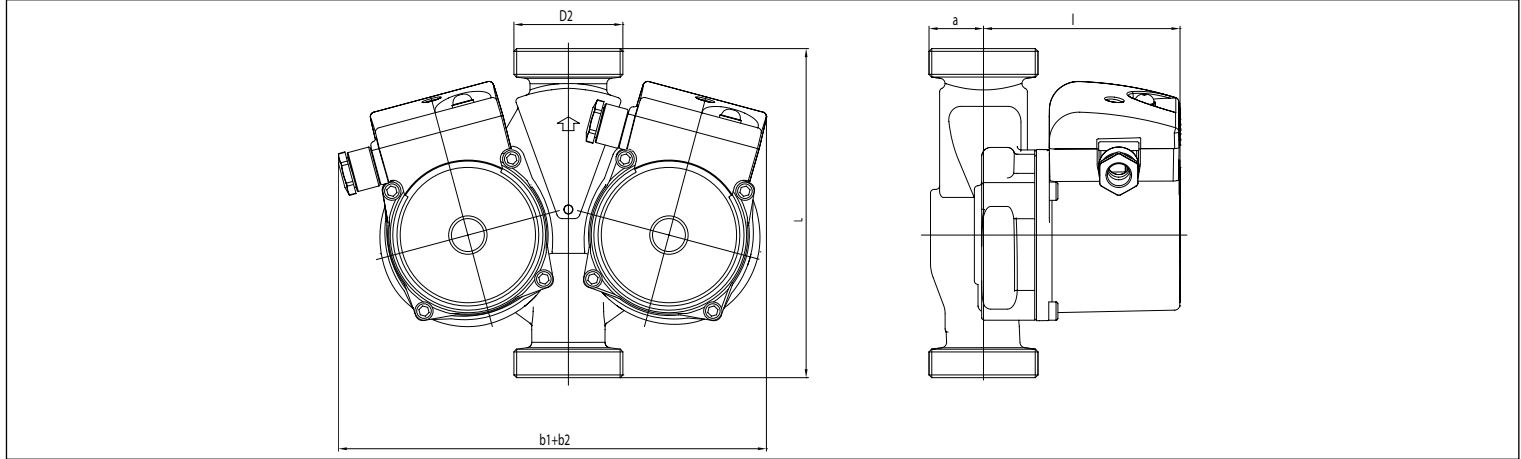
### DIMENSIONS TABLE single

Code	Model	Dimensions [mm]						
		L	DN	b1	b2	l	a	D2
1576000000	Ego (ER) 15/40-130	130	15	80	48	108	27	1"
1576000001	Ego (ER) 25/40-130	130	25	80	48	108	32	1 ½"
1576000002	Ego (ER) 15/60-130	130	15	80	48	108	27	1"
1576000003	Ego (ER) 25/60-130	130	25	80	48	108	32	1 ½"
1576000004	Ego (ER) 25/80-130	130	25	80	48	108	32	1 ½"
1576000005	Ego (ER) 25/40-180	180	25	80	48	108	32	1 ½"
1576000006	Ego (ER) 32/40-180	180	32	80	48	108	40	2"
1576000007	Ego (ER) 25/60-180	180	25	80	48	108	32	1 ½"
1576000008	Ego (ER) 32/60-180	180	32	80	48	108	40	2"
1576000009	Ego (ER) 25/80-180	180	25	80	48	108	32	1 ½"
1576000010	Ego (ER) 32/80-180	180	32	80	48	108	40	2"

## THREADED CIRCULATORS (Single and twin types)

Ego -/40, -/60, -/80

### DIMENSIONS twin

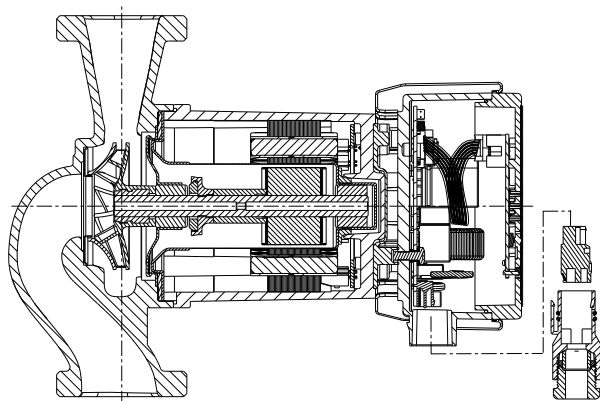


### DIMENSIONS TABLE twin

Code	Model	Dimensions [mm]					
		L	DN	b1+b2	l	a	D2
1576000069	Ego T 25/80-180	180	25	234	107	30	1"½
1576000070	Ego T 32/80-180	180	32	234	107	30	2"
1576000071	Ego T 25/60-180	180	25	234	107	30	1"½
1576000072	Ego T 32/60-180	180	32	234	107	30	2"

## THREADED/FLANGED CIRCULATORS

Ego easy -100, -80, -60



### Operating modes

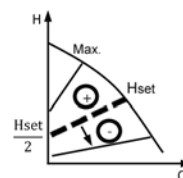
Four operating modes that can be selected via the control panel:

#### • Automatic mode

In this mode, the pump automatically regulates the hydraulic performance based on the actual demand from the system, by continually measuring the optimum H/Q work point. This mode is suited to the majority of applications and ensures high energy savings.

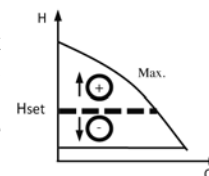
#### • Proportional $\Delta p$

In this mode, the pump continually regulates the head based on the flow rate, by varying the pressure in linear fashion within the maximum to minimum range. This allows the power and energy consumption to be reduced. This is the recommended mode for systems where there are relatively high load losses.



#### • Constant $\Delta p$

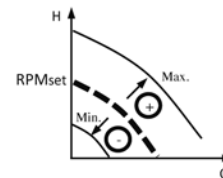
In this mode, the head is kept at a constant level (the level set by the user) regardless of the demand from the system. This is the recommended mode for systems where there are relatively low load losses.



#### • Constant speed

In this mode, the pump is made to run at a constant speed (that can be selected on the control panel).

In this case, the pump operates according to a constant curve like a normal, unregulated pump (the power absorbed remains constant).



It also includes the Automatic Night-time Function.

### FEATURES

- Integrated frequency converter
- Permanent magnet rotor
- Automatic venting
- Display
- Easy installation and regulation
- Communication module (optional, see "C" versions)

### MATERIALS

- Pump housing: cast iron
- Impeller: technopolymer
- Shaft: stainless steel
- Radial bearing: graphite
- Separator tube: stainless steel AISI 316
- Support plate: stainless steel AISI 316

### PERMITTED LIQUIDS

- Mixture of water and glycols (max 20%)
- Liquids that are clear, clean, non-aggressive and non-explosive, with no solid particles or fibres

### PERMITTED TEMPERATURE RANGE

- Fluid temperature range: +2°C to +110°C
- Ambient temperature  $\leq$  40°C

Available in TWIN version. For more information please contact our sales network.

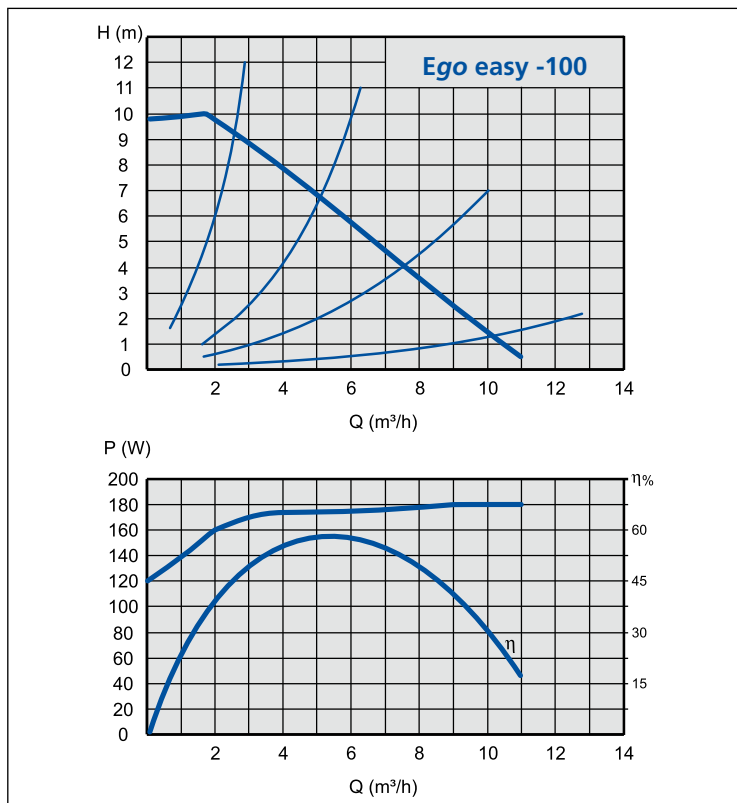
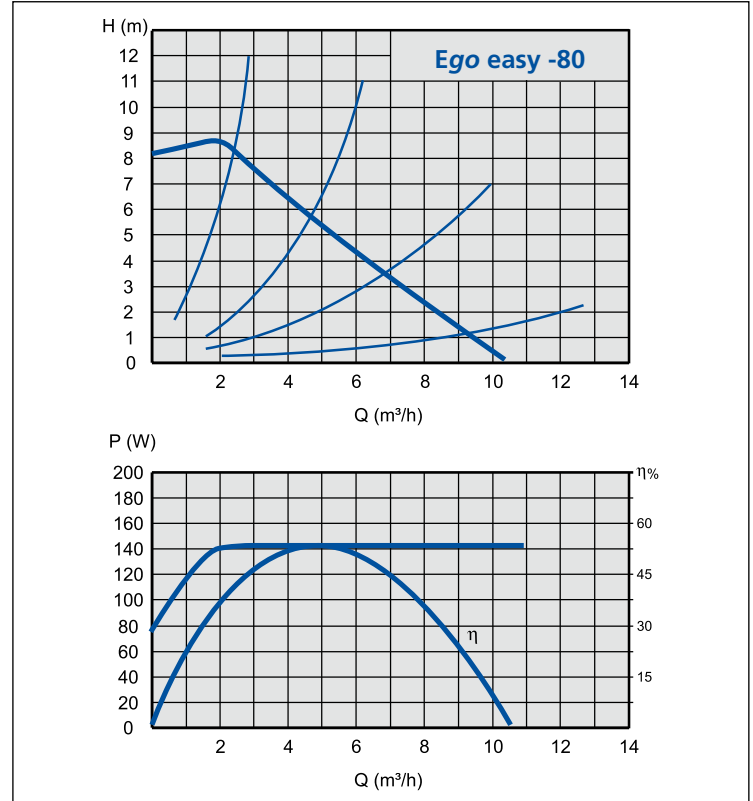
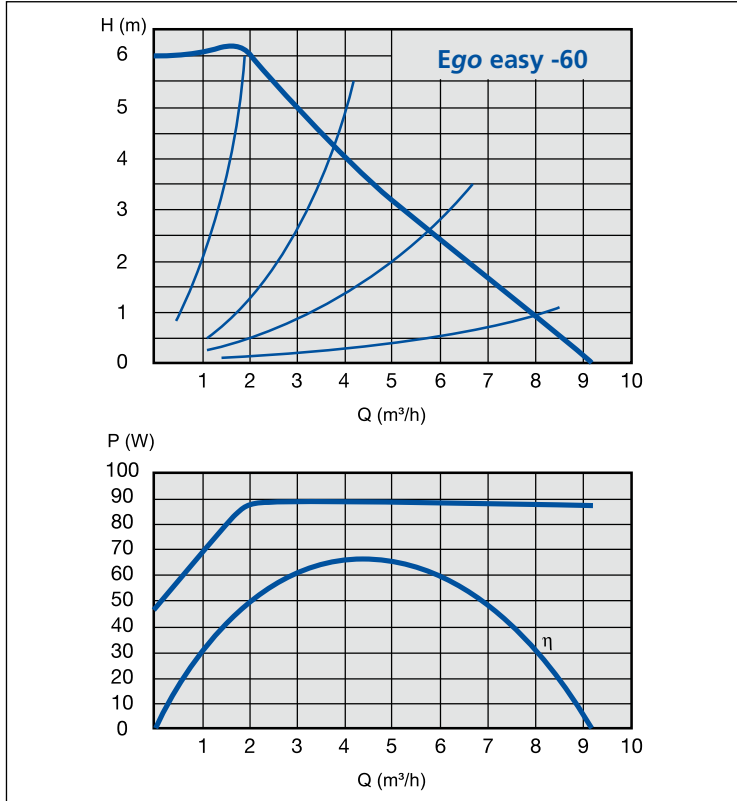


# Ego

## THREADED/FLANGED CIRCULATORS

Ego easy -100, -80, -60

### PERFORMANCE CURVES



The contents of this publication must not be regarded as binding. EBARA, Pumps Europe S.p.A. reserves the right to effect any modification in designs necessary, without prior notice.



## THREADED/FLANGED CIRCULATORS

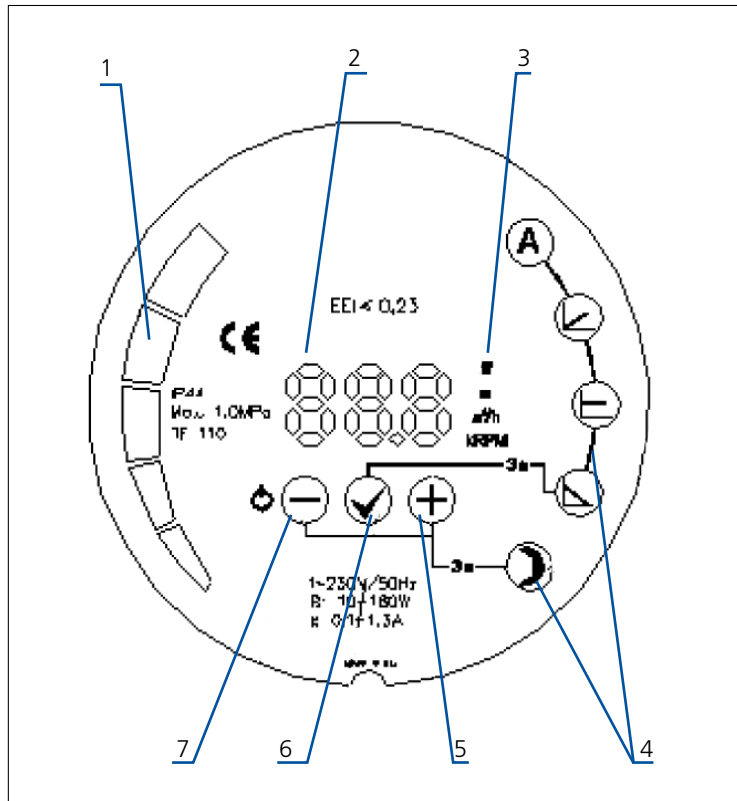
Ego easy -100, -80, -60

### TECHNICAL FEATURES

Code*	Model	EEI (Energy Efficiency Index)	Face to Face distance [mm]	DN	Pump connection	Pipeline connection	Fluid Temperature (min - max °C)	PN [bar]	P <sub>1</sub> max [W]	In max 1~230V [A]	Minimum suction pressure [bar]			Weight [kg]
											50°C	80°C	110°C	
1576000063	Ego easy 25-60	≤ 0,21	180	DN25	G1"½	Rp 1"	+2 +110	10	90	0,75	0,05	0,8	1,4	3,3
1576000064	Ego easy 32-60	≤ 0,21	180	DN32	G2"	Rp 1"¼	+2 +110	10	90	0,75	0,05	0,8	1,4	3,4
1576000061	Ego easy 25-80	≤ 0,21	180	DN25	G1"½	Rp 1"	+2 +110	10	140	1,15	0,05	0,8	1,4	3,3
1576000062	Ego easy 32-80	≤ 0,21	180	DN32	G2"	Rp 1"¼	+2 +110	10	140	1,15	0,05	0,8	1,4	3,4
1576000011	Ego easy 25-100	≤ 0,21	180	DN25	G1"½	Rp 1"	+2 +110	10	180	1,5	0,05	0,8	1,4	3,3
1576000012	Ego easy 32-100	≤ 0,21	180	DN32	G2"	Rp 1"¼	+2 +110	10	180	1,5	0,05	0,8	1,4	3,4
1576000013	Ego easy 32-100F	≤ 0,21	220	DN32	flanged	-	+2 +110	10	180	1,5	0,05	0,8	1,4	6,4
1576000014	Ego easy 40-100F	≤ 0,21	220	DN40	flanged	-	+2 +110	10	180	1,5	0,05	0,8	1,4	7,5
1576000016	Ego easy 50-100F	≤ 0,21	240	DN50	flanged	-	+2 +110	10	180	1,5	0,05	0,8	1,4	8,8

\* The code refers to the standard version. For the optional version with integrated communication module ("Ego C"), please contact our sales network

### CONTROL PANEL



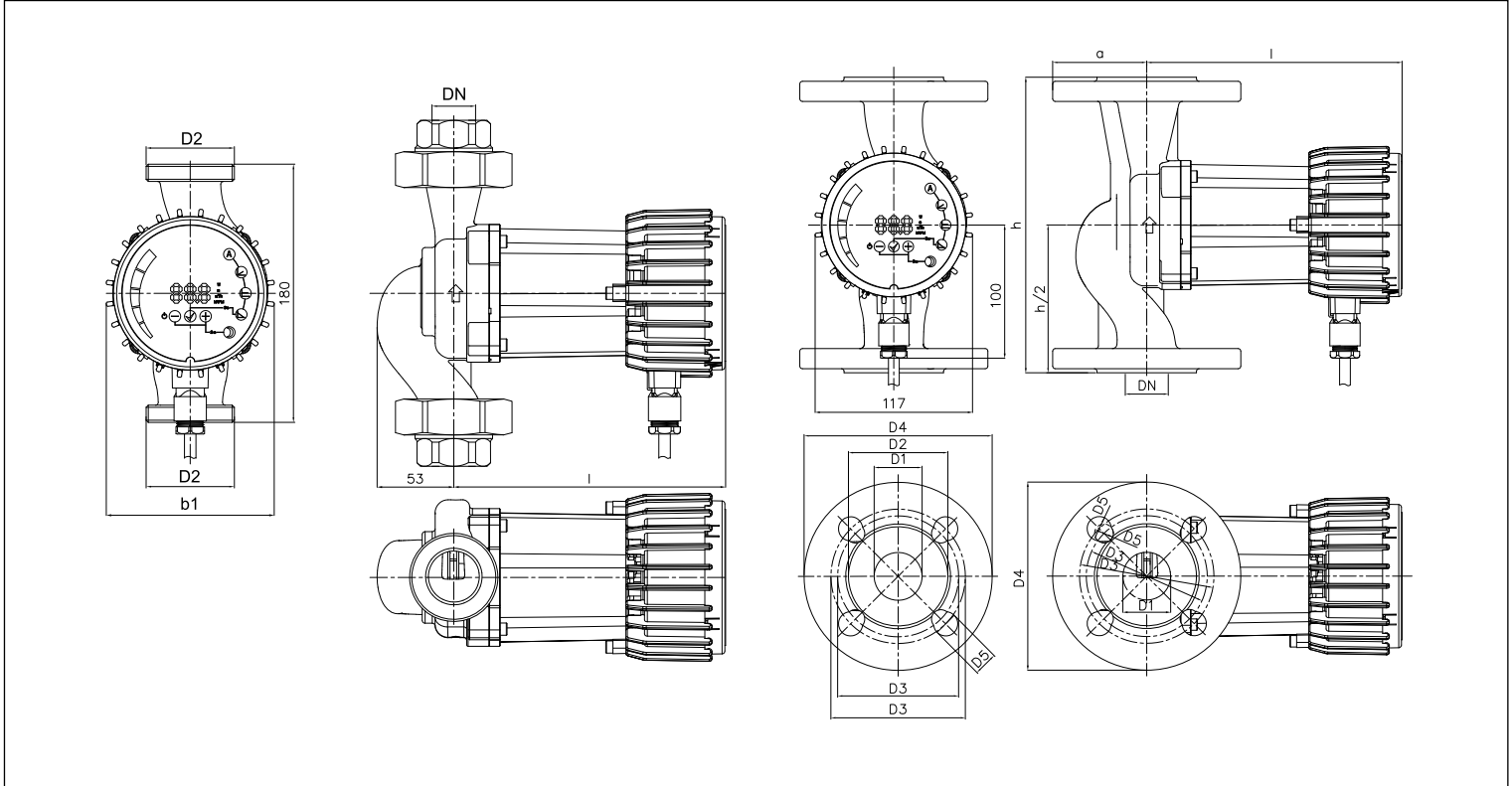
### Legend

- 1 Display with segments
- 2 Numerical display
- 3 Display showing currently selected parameter
- 4 Display showing currently selected mode
- 5 Selection key
- 6 Confirmation key
- 7 Selection key

## THREADED/FLANGED CIRCULATORS

Ego easy -100, -80, -60

### DIMENSIONS

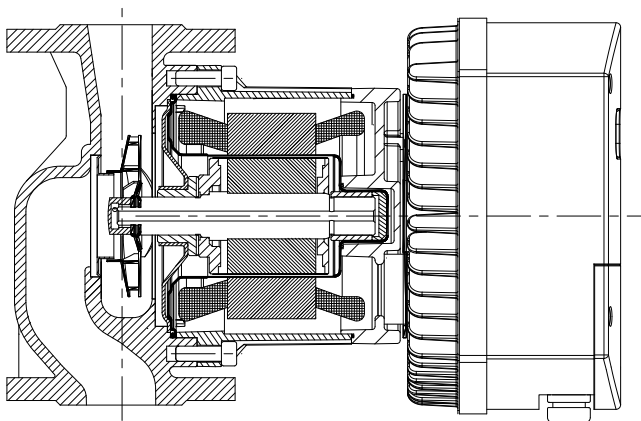


### DIMENSIONS TABLE

Code	Model	Dimensions [mm]											No. holes
		L	DN	b1	l	h	a	D1	D2	D3	D4	D5	
1576000063	Ego easy 25-60	180	25	117	190	180	-	-	1"½	-	-	-	-
1576000064	Ego easy 32-60	180	32	117	190	180	-	-	2"	-	-	-	-
1576000061	Ego easy 25-80	180	25	117	190	180	-	-	1"½	-	-	-	-
1576000062	Ego easy 32-80	180	32	117	190	180	-	-	2"	-	-	-	-
1576000011	Ego easy 25-100	180	25	117	190	180	-	-	1"½	-	-	-	-
1576000012	Ego easy 32-100	180	32	117	190	180	-	-	2"	-	-	-	-
1576000013	Ego easy 32-100F	220	32	117	190	220	70	32	74	90/100	140	14/19	4
1576000014	Ego easy 40-100F	220	40	117	190	220	75	40	80	100/110	150	14/19	4
1576000016	Ego easy 50-100F	240	50	117	190	240	82,5	50	90	110/125	165	14/19	4

## FLANGED CIRCULATORS (Single and twin types)

Ego (T) 40, (T) 50, (T) 65, (T) 80, 100



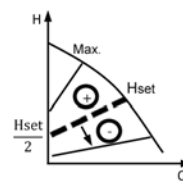
### Operating modes

These circulators are set in the factory (default settings) to operate in the “proportional differential pressure” mode (suited to the majority of applications). You can select a different operating mode via the Ethernet connection.

Available operating modes:

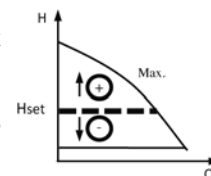
#### • Proportional $\Delta p$

In this mode, the pump continually regulates the head based on the flow rate, by varying the pressure in linear fashion within the maximum to minimum range. This allows the power and energy consumption to be reduced. This is the recommended mode for systems where there are relatively high load losses.



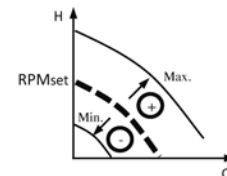
#### • Constant $\Delta p$

In this mode, the head is kept at a constant level (the level set by the user) regardless of the demand from the system. This is the recommended mode for systems where there are relatively low load losses.



#### • Constant speed

In this mode, the pump is made to run at a constant speed. In this case, the pump operates according to a constant curve like a normal, unregulated pump (the power absorbed remains constant).



### FEATURES

- Integrated frequency converter
- Permanent magnet rotor
- Automatic venting
- Easy installation
- Has factory pre-settings for the proportional pressure mode.
- Ethernet connection for distance control and regulation

### MATERIALS

- Pump housing: cast iron
- Impeller: stainless steel
- Shaft: stainless steel
- Radial bearing: graphite
- Separator tube: stainless steel AISI 316
- Support plate: stainless steel AISI 316

### PERMITTED LIQUIDS

- Mixture of water and glycols (max 20%)
- Liquids that are clear, clean, non-aggressive and non-explosive, with no solid particles or fibres

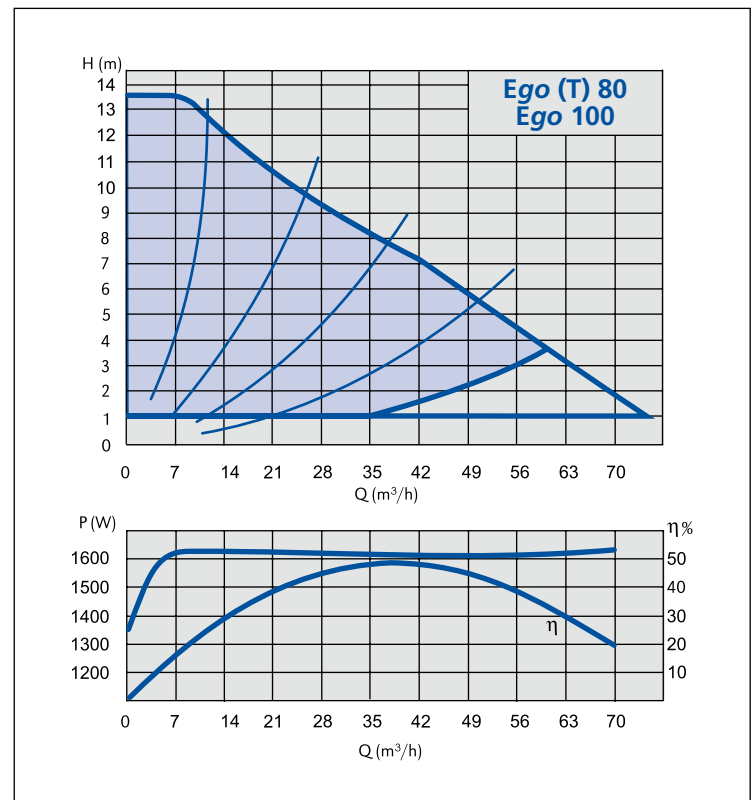
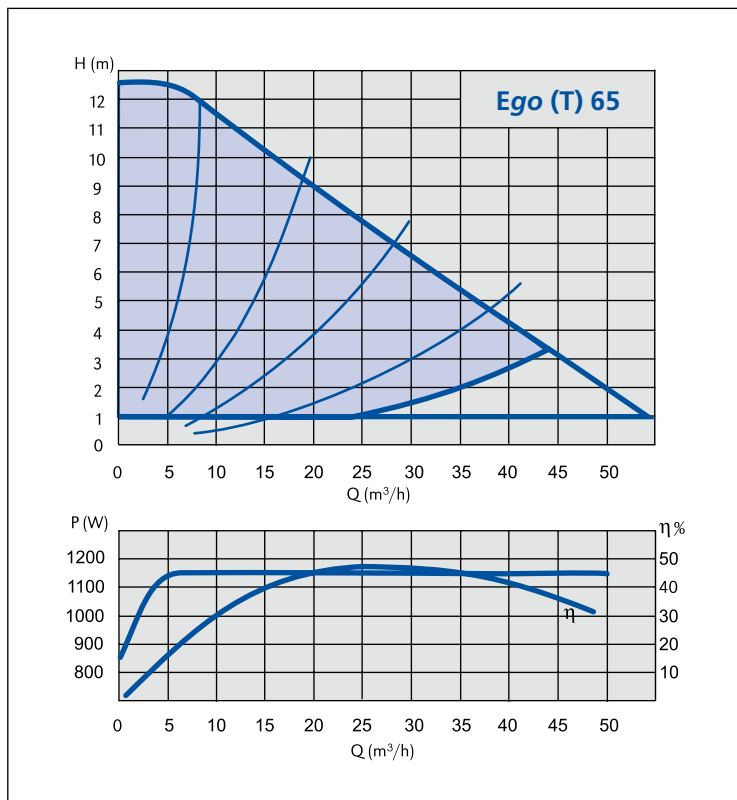
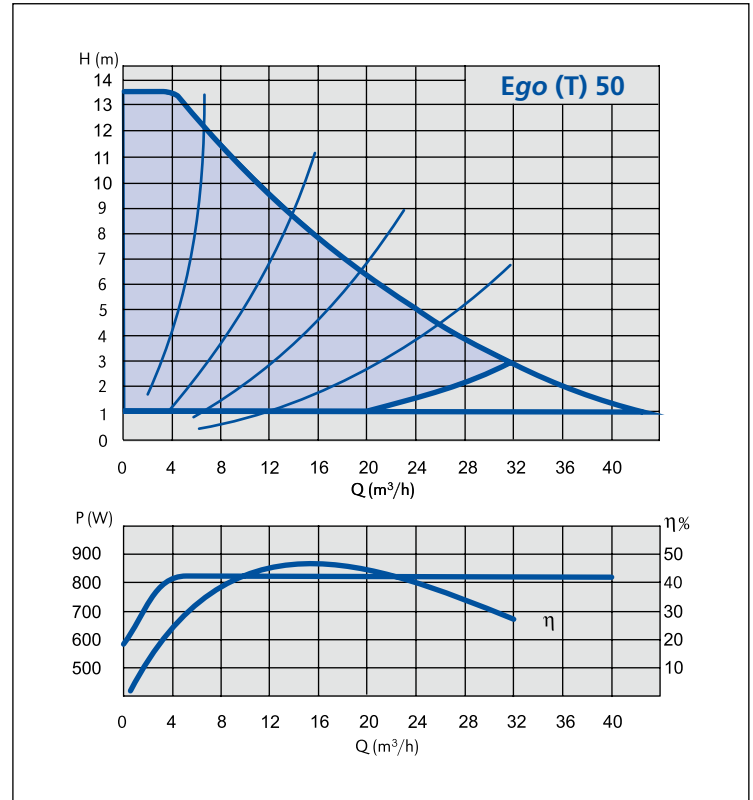
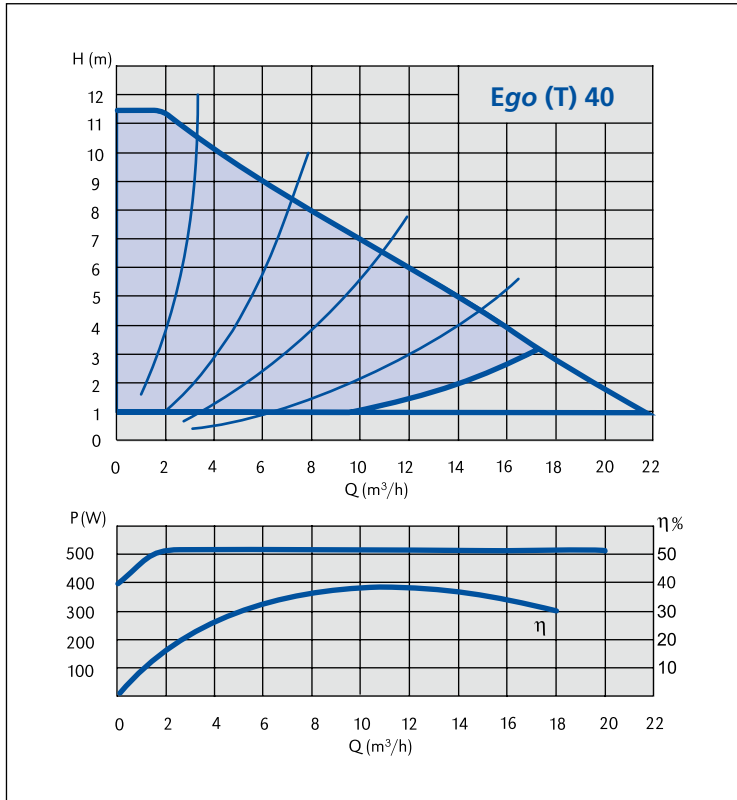
### PERMITTED TEMPERATURE RANGE

- Fluid temperature range: from -10°C to +110°C
- Ambient temperature  $\leq$  40°C

## FLANGED CIRCULATORS (Single and twin types)

Ego (T) 40, (T) 50, (T) 65, (T) 80, 100

### PERFORMANCE CURVES



## FLANGED CIRCULATORS (Single and twin types)

Ego (T) 40, (T) 50, (T) 65, (T) 80, 100

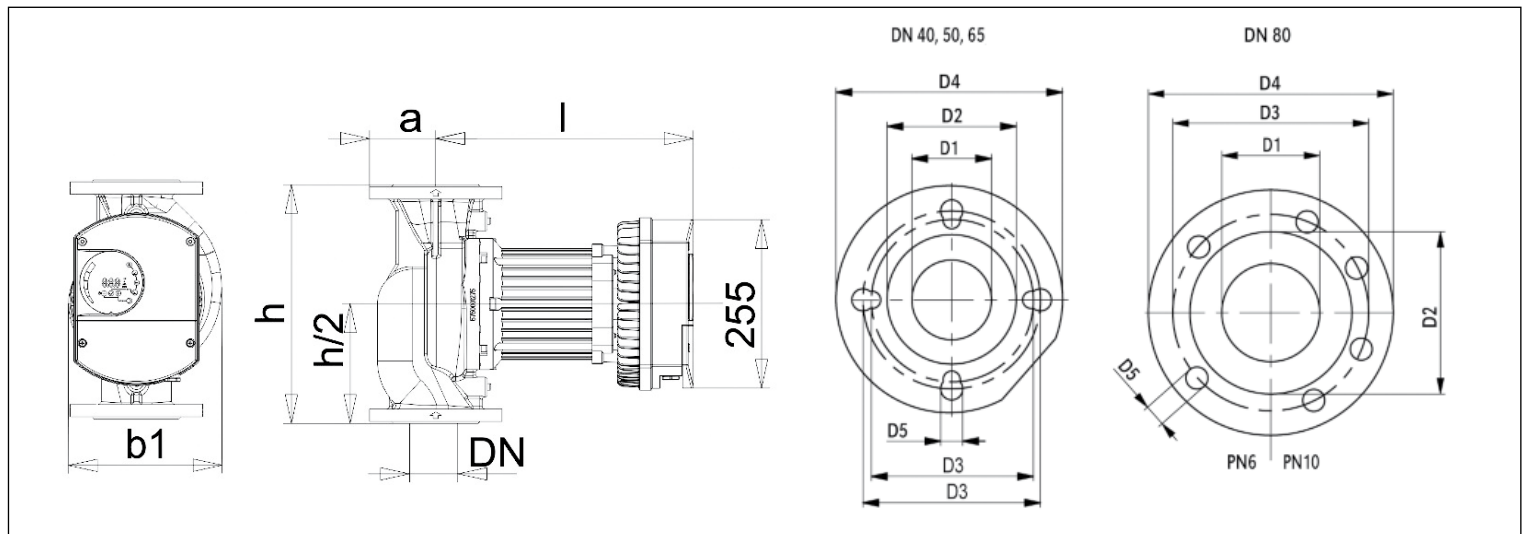
### TECHNICAL FEATURES single

Code	Model	EEI (Energy Efficiency Index)	Face to Face distance [mm]	DN	Fluid Temperature (min - max °C)	PN [bar]	P <sub>1</sub> max [W]	In max 1~230V [A]	Minimum suction pressure [bar]			Weight [kg]
									50°C	80°C	110°C	
1576000015	Ego 40	≤ 0,27	250	DN40	-10 +110	10	500	2,2	0,05	0,8	1,4	24,3
1576000017	Ego 50	≤ 0,26	280	DN50	-10 +110	10	800	3,5	0,3	1,0	1,6	30,9
1576000018	Ego 65	≤ 0,25	340	DN65	-10 +110	10	1100	4,8	0,3	1,0	1,6	35,3
1576000019	Ego 80	≤ 0,23	360	DN80	-10 +110	10	1600	6,9	0,3	1,0	1,6	42,1
1576000020	Ego 100	≤ 0,23	360	DN100	-10 +110	10	1600	6,9	0,3	1,0	1,6	47,0

### TECHNICAL FEATURES twin

Code	Model	EEI (Energy Efficiency Index)	Face to Face distance [mm]	DN	Fluid Temperature (min - max °C)	PN [bar]	P <sub>1</sub> max [W]	In max 1~230V [A]	Minimum suction pressure [bar]			Weight [kg]
									50°C	80°C	110°C	
1576000021	Ego T 40	≤ 0,27	250	DN40	-10 +110	10	500	2,2	0,05	0,8	1,4	47,0
1576000022	Ego T 50	≤ 0,26	280	DN50	-10 +110	10	800	3,5	0,3	1,0	1,6	60,0
1576000023	Ego T 65	≤ 0,25	340	DN65	-10 +110	10	1100	4,8	0,3	1,0	1,6	63,0
1576000024	Ego T 80	≤ 0,23	360	DN80	-10 +110	10	1600	6,9	0,3	1,0	1,6	81,0

### DIMENSIONS single



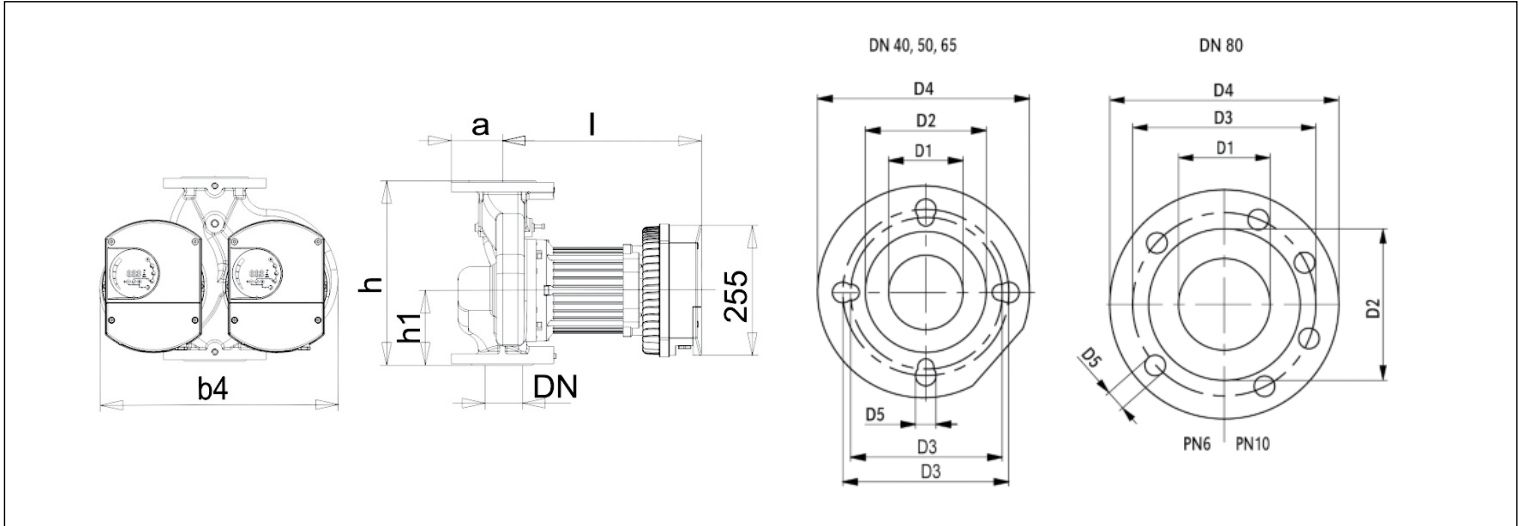
### DIMENSIONS TABLE single

Code	Model	L	DN	b1	b4	l	Dimensions [mm]								n° fori
							h	h1	a	D1	D2	D3	D4	D5	
1576000015	Ego 40	250	40	189	-	321	250	-	65	40	80	100/110	150	14/19	4
1576000017	Ego 50	280	50	189	-	355	280	-	70	50	90	100/125	165	14/19	4
1576000018	Ego 65	340	65	189	-	369	340	-	80	65	110	130/145	185	14/19	4
1576000019	Ego 80	360	80	189	-	403	360	-	100	80	128	160	200	19	8
1576000020	Ego 100	360	100	189	-	403	360	-	110	100	-	180	220	19	8

## FLANGED CIRCULATORS (Single and twin types)

Ego (T) 40, (T) 50, (T) 65, (T) 80, 100

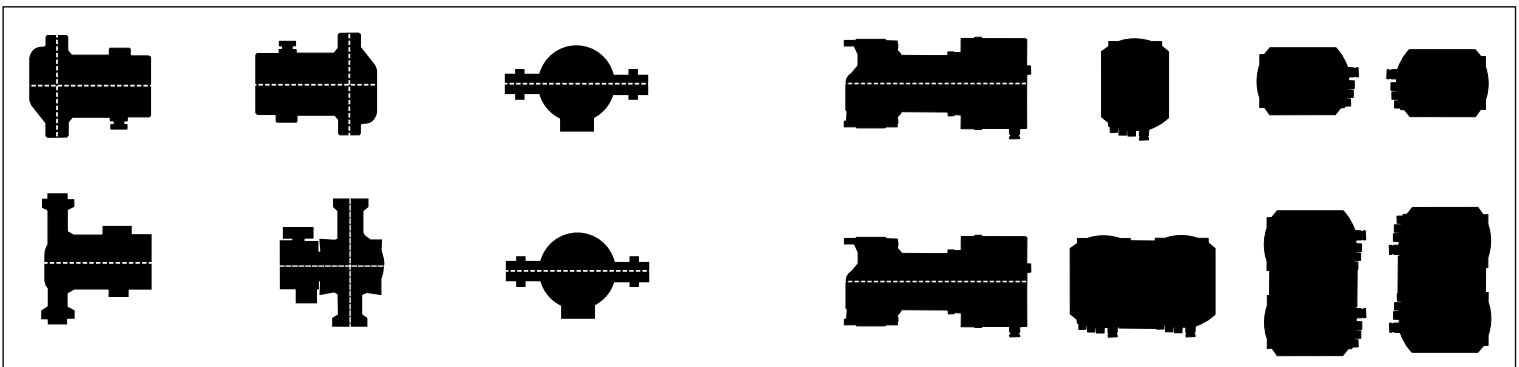
### DIMENSIONS twin



### DIMENSIONS TABLE twin

Code	Model	Dimensions [mm]														n° fori
		L	DN	b1	b4	l	h	h1	a	D1	D2	D3	D4	D5		
1576000021	Ego T 40	250	40	-	403	321	250	110	65	40	80	100/110	150	14/19	4	
1576000022	Ego T 50	280	50	-	403	355	280	121	70	50	90	100/125	165	14/19	4	
1576000023	Ego T 65	340	65	-	452	369	340	141	80	65	110	130/145	185	14/19	4	
1576000024	Ego T 80	360	80	-	462	403	360	146	100	80	128	160	200	19	8	

### FITTING POSITIONS (for all models)



## REPLACEMENT GUIDE

### CIRCULATORS single

Code	EBARA Model	Alpha2 (2L)	Alpha +	Grundfos Alpha Pro	UPE	UPS
1576000000	Ego 15/40-130	15-40 (130)	15-40 (130)	15-40 (130)	15-40 (130)	15-40 (130)
1576000001	Ego 25/40-130	25-40 (130)	25-40 (130)	25-40 (130)	25-40 (130)	25-40 (130)
1576000002	Ego 15/60-130	15-60 (130)	15-60 (130)	15-60 (130)	15-60 (130)	15-(50) 60 (130)
1576000003	Ego 25/60-130	25-60 (130)	25-60 (130)	25-60 (130)	25-60 (130)	25-(50) 60 (130)
1576000005	Ego 25/40-180	25-40 (180)	25-40 (180)	25-40 (180)	25-40 (180)	25-40 (180)
1576000006	Ego 32/40-180	32-40 (180)	32-40 (180)	32-40 (180)	32-40 (180)	32-40 (180)
1576000007	Ego 25/60-180	25-60 (180)	25-60 (180)	25-60 (180)	25-60 (180)	25-(50) 60 (180)
1576000008	Ego 32/60-180	32-60 (180)	32-60 (180)	32-60 (180)	32-60 (180)	32-(50) 60 (180)

Code	EBARA Model	Stratos PICO/ Yonos PICO	Stratos ECO	Wilo Star E	Smart	Star RS
1576000000	Ego 15/40-130	15/1-4	15/1-3	15/1-3	15/4	15/4
1576000001	Ego 25/40-130	25/1-4	25/1-3	25/1-3	25/4	25/4
1576000002	Ego 15/60-130	15/1-6	15/1-5	15/1-5	15/6	15/6
1576000003	Ego 25/60-130	25/1-6	25/1-5	25/1-5	25/6	25/6
1576000005	Ego 25/40-180	25/1-4	25/1-3	25/1-3	25/4	25/4
1576000006	Ego 32/40-180	30/1-4	30/1-3	30/1-3	30/4	30/4
1576000007	Ego 25/60-180	25/1-6	25/1-5	25/1-5	25/6	25/6
1576000008	Ego 32/60-180	30/1-6	30/1-5	30/1-5	30/6	30/6

Code	EBARA Model	Evotron	DAB AC	VA
1576000000	Ego 15/40-130	40/130 (1/2")	-	35 (55)/130 (1/2")
1576000001	Ego 25/40-130	40/130	35/130	35 (55)/130
1576000002	Ego 15/60-130	60/130 (1/2")	-	65/130 (1/2")
1576000003	Ego 25/60-130	60/130	55/130	65/130
1576000005	Ego 25/40-180	40/180	-	35 (55)/180
1576000006	Ego 32/40-180	40/180 X	35/180 X	35 (55)/180 X
1576000007	Ego 25/60-180	60/180	55/180	65/180
1576000008	Ego 32/60-180	60/180 X	A55/180 X	65/180 X

Code	EBARA Model	Siriux Home	Siriux Jr	SALMSON Homeson	Axess	NYL/NXL
1576000000	Ego 15/40-130	40-15/130	3m/130	-	-	NYL 33-15
1576000001	Ego 25/40-130	40-25/130	-	-	-	NYL 33-25
1576000002	Ego 15/60-130	60-15/130	5m/130	-	-	NYL 43(53)-15
1576000003	Ego 25/60-130	60-25/130	-	NYT 53-25	NYi 53-25	NYL 43(53)-25
1576000005	Ego 25/40-180	40-25/180	3m	-	-	NXL 33-25
1576000006	Ego 32/40-180	40-32/180	-	-	-	NXL 33-32
1576000007	Ego 25/60-180	60-25/180	5m	NXT 53-25	NXi 53-25	NXL 43(53)-25
1576000008	Ego 32/60-180	60-32/180	-	NXT 53-32	NXi 53-32	NXL 43(53)-32

Code	EBARA Model	Grundfos	Wilo
1576000063	Ego easy 25-60	Magna 25-60	Stratos 25/1-6
1576000064	Ego easy 32-60	Magna 32-60	Stratos 30/1-6
1576000061	Ego easy 25-80	Magna 25-80	Stratos 25/1-8
1576000062	Ego easy 32-80	Magna 32-80	Stratos 30/1-8
1576000011	Ego easy 25-100	Magna 25-100	Stratos 25/1-10
1576000012	Ego easy 32-100	Magna 32-100	Stratos 30/1-10
1576000013	Ego easy 32-100F	Magna 32-100F	Stratos 32/1-10
1576000014	Ego easy 40-100F	Magna 40-100F	Stratos 40/1-10
1576000016	Ego easy 50-100F	Magna 50-100F	Stratos 50/1-10
1576000015	Ego 40	Magna(3) 40-120F	Stratos 40/1-12
1576000017	Ego 50	Magna(3) 50-120F	Stratos 50/1-12
1576000018	Ego 65	Magna(3) 65-120F	Stratos 65/1-12
1576000019	Ego 80	Magna3 80-120F	Stratos 80/1-12
1576000020	Ego 100	Magna3 100-120F	Stratos 80/1-12
1576000021	Ego T 40	Magna(3) D 40-120	Stratos D 40/1-12
1576000022	Ego T 50	Magna(3) D 50-120	Stratos D 50/1-12
1576000023	Ego T 65	Magna(3) D 65-120	Stratos D 65/1-12
1576000024	Ego T 80	Magna3 D 80-120	Stratos D 80/1-12

## EBARA Pumps Europe network

### HEAD OFFICE

#### EBARA Pumps Europe S.p.A.

Via Pacinotti, 32  
36040 Brendola (VI), Italy  
Phone +39 0444 706811 - Fax +39 0444 405811

*Italian Sales (for order only):*  
e-mail: ordini@ebaraeurope.com

*Export Sales (for order only):*  
e-mail: exportsales@ebaraeurope.com

*Technical Customer Service (TCS):*  
e-mail: technical\_customer\_service@ebaraeurope.com  
Phone +39 0444 706869/902/923

*Marketing & Marketing Communication:*  
e-mail: marketing@ebaraeurope.com

### ITALIAN SALES NETWORK

#### NORTH-EAST Region:

*(Trentino Alto Adige, Veneto, Friuli Venezia Giulia, Emilia Romagna)*  
Regional Manager mobile: +39 335 6423308  
e-mail: nord@ebaraeurope.com  
Phone +39 0444 706811 - Fax +39 0444 405811

#### NORTH-WEST Region:

*(Valle d'Aosta, Piemonte, Lombardia, Liguria)*  
Regional Manager mobile: +39 335 5327276  
e-mail: mrtgmi@ebaraeurope.com  
Phone +39 0444 706811 - Fax +39 0444 405975

#### CENTRAL Region:

*(Toscana, Umbria, Marche, Lazio, Abruzzo, Molise)*  
Regional Manager mobile: +39 335 6423286  
e-mail: centro@ebaraeurope.com  
Phone +39 0444 706811 - Fax +39 0444 405811

#### SOUTH Region:

*(Campania, Basilicata, Puglia, Calabria, Sicilia)*  
Regional Manager mobile: +39 335 6423316  
e-mail: sud@ebaraeurope.com  
Phone +39 0444 706811 - Fax +39 0444 405811

#### INDUSTRIAL Division:

Manager mobile: +39 335 6423302  
e-mail: industry@ebaraeurope.com  
Phone +39 0444 706811 - Fax +39 0444 405811

#### WASTEWATER Division:

Manager mobile: +39 335 6423290  
e-mail: ses@ebaraeurope.com  
Phone +39 0444 706811 - Fax +39 0444 405811

#### CAGLIARI Branch:

Via del Fangano, 29  
09122 Cagliari  
Phone +39 070 274281 - Fax +39 0444 405960  
Branch Manager mobile: +39 335 6423320  
e-mail: mktgca@ebaraeurope.com

#### PALERMO Branch:

Via Don L. Sturzo, 181/183  
Z.I. - 90044 Carini (PA)  
Phone +39 091 8668790 - Fax +39 0444 405980  
Branch Manager mobile: +39 335 6423316  
e-mail: mktgpa@ebaraeurope.com

### EXPORT NETWORK

#### EBARA Pumps Europe S.p.A. UNITED KINGDOM

Unit 7 - Zodiac Business Park  
High Road - Cowley Uxbridge  
Middlesex - UB8 2GU, United Kingdom  
Phone +44 1895 439027 - Fax +44 1895 439028  
e-mail: mktguk@ebaraeurope.com

#### EBARA ESPAÑA BOMBAS S.A.

C/Cormoranes 6 Y 8  
Poligono Ind. La Estación  
28320 Pinto (Madrid), Spain  
Phone +34 916.923.630 - Fax +34 916.910.818  
e-mail: marketing@ebara.es

#### EBARA Pumps Europe S.p.A. FRANCE

555, Rue Juliette Recamier  
69970 Chaponnay, France  
Phone +33 4 72769482 - Fax +33 805101071  
e-mail: mktgfr@ebaraeurope.com

#### EBARA Pumps Europe S.p.A. GERMANY

Ferdinand-Porsche-Ring 7  
63110 Rodgau-Jügesheim, Germany  
Phone +49 (0) 6106-660 99-0  
Fax +49 (0) 6106-660 99-45  
e-mail: mktgde@ebaraeurope.com

#### EBARA POMPY POLSKA Sp. z o.o.

ul. Działkowa 115  
02-234 Warszawa, Poland  
Phone +48 22 3909920 - Fax +48 22 3909929  
e-mail: mktgpl@ebaraeurope.com

#### EBARA Pumps Europe S.p.A. MIDDLE EAST

P.O. Box 54515  
Dubai Airport Free Zone  
Dubai, United Arab Emirates  
Phone +971 4 609 1040 - Fax +971 4 609 1038  
e-mail: mktgme@ebaraeurope.com

#### EBARA Pumps Europe S.p.A. SAUDI ARABIA

Phone +966 11 810 4561  
Fax +966 11 810 4562

#### EBARA Pumps Europe S.p.A. INDIA LIAISON OFFICE

1503, Bhumiraj Costarica,  
Sector-18, Palm Beach Rd.  
Sanpada, Navi Mumbai  
Maharashtra, Pin: 400705 - India  
Phone +91 22 2781 2862  
Fax +91 22 2781 2865  
e-mail: mktgind@ebaraeurope.com

#### EBARA Pumps Europe S.p.A. RUSSIA

Phone +7 985 7672672  
e-mail: mktgrus@ebaraeurope.com



### EBARA Pumps Europe S.p.A.

Via Pacinotti, 32  
36040 Brendola (Vicenza), Italy  
Phone +39 0444 706811 - Fax +39 0444 405811  
e-mail: marketing@ebaraeurope.com  
www.ebaraeurope.com



### EBARA Corporation

11-1, Haneda Asahi-cho, Ohta-ku,  
Tokyo 144-8510  
Japan  
Phone +81 3 6275 7598 - Fax +81 3 5736 3193  
www.ebara.com

